



PAN
LIGHTING



SAUDI
MADE

LED

CATALOGUE



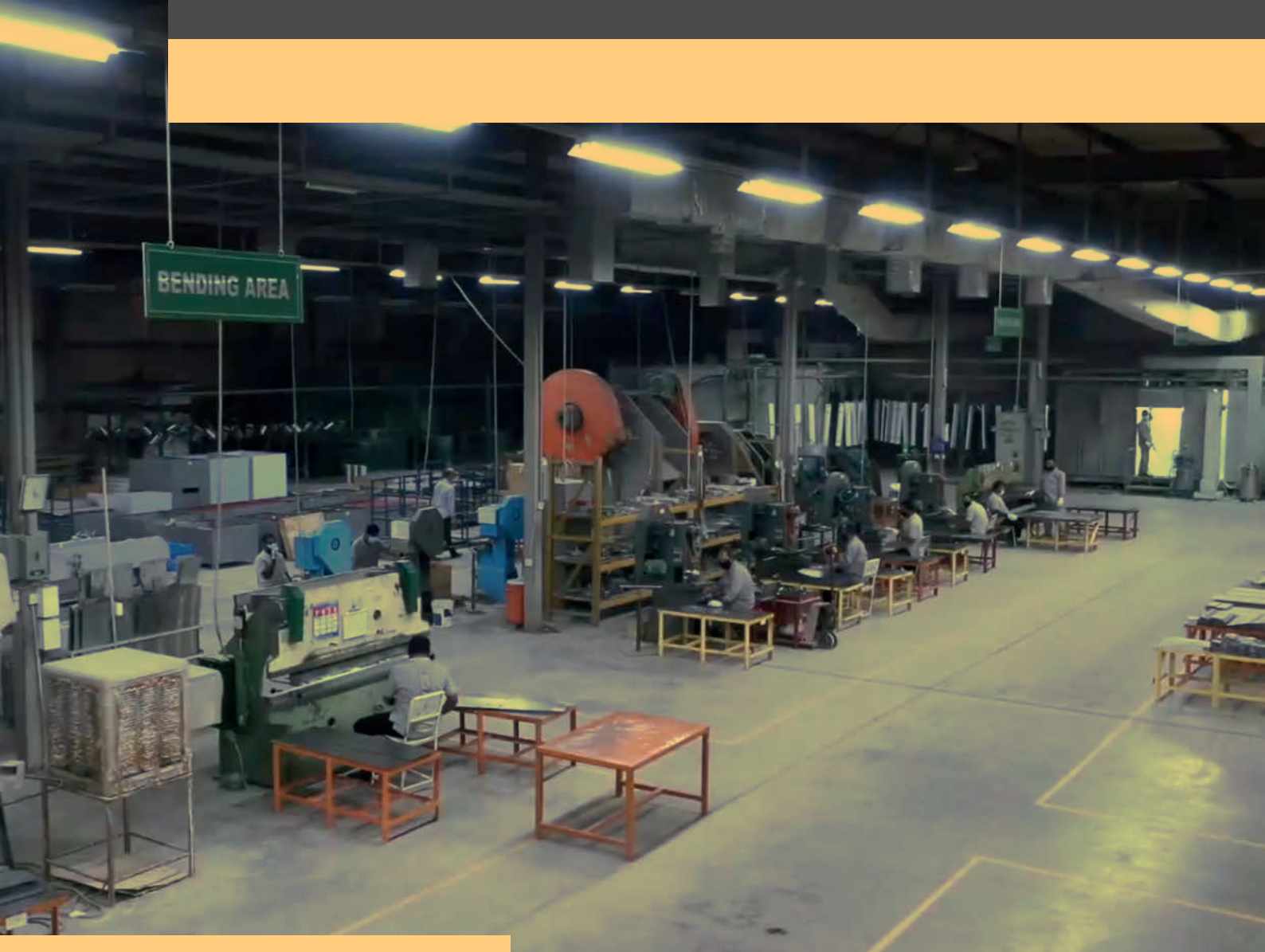
OUR FACTORY

With the progress of civilization and industrial and commercial development in the Kingdom of Saudi Arabia, the lights were lit and sparkled, which was a motive for the development of industrial growth in the Kingdom, which called for the owners of business thought, and industrial tendencies to go to the shadows of industry.

In the year 1977, the lights of the factory (AL ANWAR For Modern Lighting) - industrial license No. 157 - went up to keep pace with the industrial market and it was one of the first Saudi factories that started producing indoor and outdoor lighting units, to provide lighting requirements for governmental, commercial, industrial and household projects, with standard specifications. With a production capacity of twenty-eight thousand units per year, which doubled production year after year. By the end of 1995, the Minister of Industry Decree No. 735 / R were issued to amend the name of the factory and to be renamed Pan Lighting Factory. The plant continues its strength and productivity to reach more than five hundred thousand units today.

Pan Lighting Factory seeks to be a distinguished name in the world of lighting, and sought to develop and promote through attention to product quality and good production, according to the latest international lighting technology, while ensuring that our materials conform to the highest technical specifications enabling them to obtain the ISO 9001 certificate. 12500. Pan Lighting Factory seeks to be one of the pioneers in meeting the increasing demands of the finest types of lighting, especially environmentally friendly smart technology, and saving electricity.

What we are looking forward to is to reach the satisfaction of our customers, and meet all their needs, in the light of different - internal and external - commensurate with their tastes and needs that seek to achieve.



VISION

To be pioneers in the production of lighting units, with modern technologies that accompany the evolution of life, in accordance with international standards.

MISSION

Meet the permanent needs of lighting units, and find solutions to provide high quality lighting and performance.



OBJECTIVES

- Provide environmentally friendly lighting that is accessible to all.
- Providing electricity consumption through LED lighting
- Production of lighting according to the latest international technologies.



مصنع بان للإضاءة PAN LIGHTING FACTORY

CLIENTS

وزارة الدفاع
MINISTRY OF DEFENSE



وزارة الصحة
Ministry of Health



وزارة التعليم
Ministry of Education

الهيئة الملكية للجبيل وينبع
Royal Commission for Jubail & Yanbu



وزارة النقل
TRANSPORT MINISTRY



سابك
SABIC

TBC

مدن MODON
الهيئة السعودية للمدن الصناعية ومناطق التقنية
Saudi Authority for Industrial Cities and Technology Zones



الرياض
أمانة منطقة الرياض



الأمانة
ALAHSA MUNICIPALITY

أمانة الأحساء
ALAHSA MUNICIPALITY



The cover features a dark grey background with a vertical bar on the left side composed of colored segments: purple, red, black, yellow, green, light blue, and purple. A large yellow rectangle is positioned in the upper half, containing the text 'LED CATALOG' in bold, dark grey, sans-serif font. In the bottom right corner, there is a white geometric pattern of thin lines forming a complex, multi-pointed star or web-like structure.

LED CATALOG

LED FIXTURES

LED INDOOR

DOWN LIGHT



PNDL101



PNDL102



PNDL117



PNDL118



PNDL123



PNDL126



PNDL127



PNDL301



PNDL302

CEILING LIGHT



PNCL101



PNCL103

TRACK LIGHT



PAN401

LINEAR LIGHT



PNLN101



PNLN102



PAN718

SURFACE MOUNTED



PAN230



PNSF303



PAN721



PAN920



PAN314

PANEL LIGHT



PNPL107



PNPL108



PNPL201

LED FIXTURES

LED OUTDOOR

STREET LIGHT



PNSL107



PNSL110



PAN560

WALL MOUNTED



PAN710

FLOOD LIGHT



PNFL105



PAN623

OTHER OUTDOOR



PNUG112



PNUG113



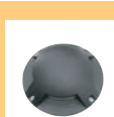
PAN821



PAN610

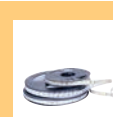


PNHB108



PAN620

STRIP LIGHT



PNSP101



PNSP108

EMERGENCY LIGHT



PNEX101



PNEX102



PNEX104



LED INDOOR



PNDL101

LED Downlight



PAN
LIGHTING



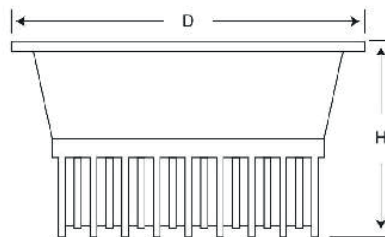
Introduction

PNDL101 LED Downlight uses COB LED and LED Driver for indoor applications. Housing is made of die-cast aluminum with pearl white.

Features

- High performance COB LEDs
- LED Driver
- Glass diffuser with high transparency rate
- High quality PC reflector
- For indoor use
- Installation: Recessed Mounted
- IP rating: IP40
- Life span: 50,000 hours

Dimensions



Model	PNDL101
H	64 mm
D	90 mm

PNDL101

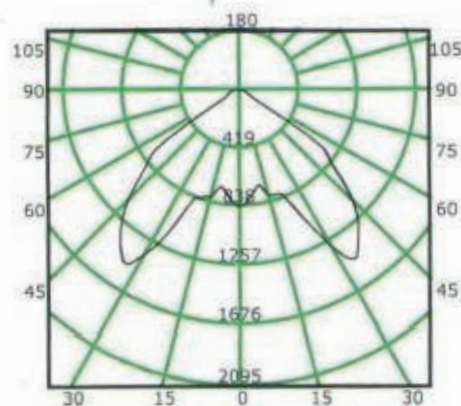
LED Downlight



Tech. Specification

Model	PNDL101
Power	6W
LED Type	COB
Luminous Flux	550 lm
Lumminous Efficacy	90
CCT	3000 k - 4000 k
CRI (Ra)	>85
Rated Supply Voltage	220-240 V
Input Voltage	100-265 VAC
Cut-Out	68 mm
Frequency	50/60 Hz

Light Distribution



PNDL10

LED Downlight



PAN
LIGHTING



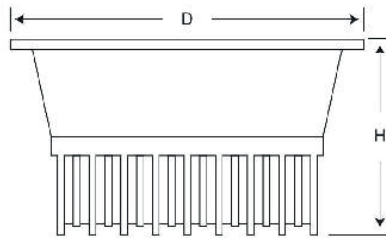
Introduction

PNDL102 LED Downlight uses COB LED and LED Driver for indoor applications. Housing is made of die-cast aluminum with pear white.

Features

- High performance COB LEDs
- LED Driver
- Glass diffuser with high transparency rate
- High quality PC reflector
- For indoor use
- Installation: Recessed Mounted
- IP rating: IP40
- Life span: 50,000 hours

Dimensions



Model	PNDL10
H	57 mm
D	83 mm

PNDL10

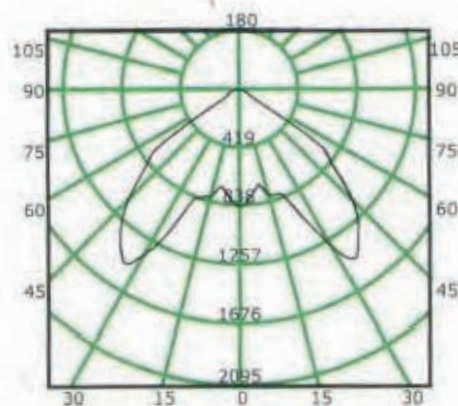
LED Downlight



Tech. Specification

Model	PNDL 10
Power	8W
LED Type	COB
Luminous Flux	750 lm
Lumminous Efficacy	93
CCT	3000 k - 4000 k
CRI (Ra)	>85
Rated Supply Voltage	220-240 V
Input Voltage	100-265 VAC
Cut-Out	68 mm
Frequency	50/60 Hz

Light Distribution

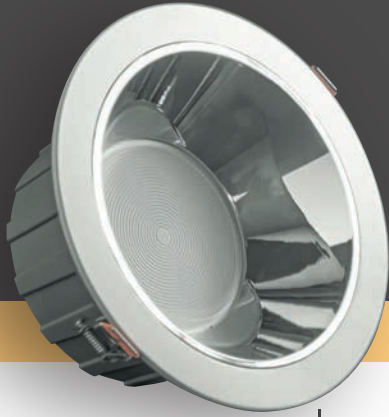


PNDL 117

LED Downlight



PAN
LIGHTING



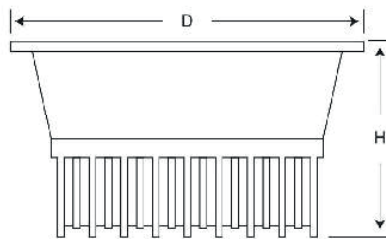
Introduction

PNDL117 LED Downlight uses SMDs and LED Driver for indoor applications.

Features

- High quality PS Diffuser
- LED Driver
- SMD LEDs
- Hazardous free
- Non-dimmable
- Directional type
- Instant full light
- Installation: Recessed
- IP rating: IP20 - IP44
- Life span: 50,000 hours

Dimensions



Model	PNDL117-10	PNDL117-15	PNDL117-25	PNDL117-30
H	34 mm	42 mm	62 mm	62 mm
D	95 mm	135 mm	195 mm	195 mm

PNDL 117

LED Downlight



Tech. Specification

Model	PNDL117-10	PNDL117-15	PNDL117-25	PNDL117-30
Power	10W	15W	25W	30W
LED Type	SMD			
Luminous Flux	1056 lm	1639 lm	2808 lm	3088 lm
Lumminous Efficacy	106	111	115	111
CCT	3000 k - 4000 k - 5000 K - 6500 k			
Baem Angle	35°			
CRI (Ra)	>80			
Rated Supply Voltage	220-240 V			
Cut-Out	77 mm	113 mm	162 mm	162 mm
Lumen Maintenance	>80			
Frequency	50/60 Hz			
Ta	-20 C° to 50 C°			
CLASS	I			

Images



PNDL 118

LED Downlight



PAN
LIGHTING



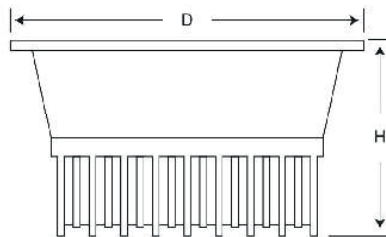
Introduction

PNDL118 LED Downlight uses SMDs and LED Driver for indoor applications.

Features

- High quality PS Diffuser
- LED Driver
- SMD LEDs
- Hazardous free
- Directional type
- Instant full light
- For indoor use
- Installation: Recessed
- IP rating: IP20 - IP44 - IP54 - IP65
- Life span: 50,000 hours

Dimensions



Model	PNDL118-10	PNDL118-15	PNDL118-25	PNDL118-30
H	60 mm	70 mm	70 mm	70 mm
D	125 mm	190 mm	190 mm	225 mm

PNDL 118

LED Downlight



Tech. Specification

Model	PNDL117-10	PNDL117-15	PNDL117-25	PNDL117-30
Power	10W	15W	25W	30W
LED Type	SMD			
Luminous Flux	950 lm	1500 lm	2700 lm	3240 lm
Lumminous Efficacy	95	100	108	108
CCT	3000 k - 4000 k - 6500 k			
Baem Angle	100°			
CRI (Ra)	>80			
Rated Supply Voltage	220-240 V			
Cut-Out	110 mm	170 mm	170 mm	190mm
Lumen Maintenance	>80			
Frequency	50/60 Hz			
Ta	-20 C° to 50 C°			
CLASS	I			

Images



PNDL 123

LED Downlight



PAN
LIGHTING



Introduction

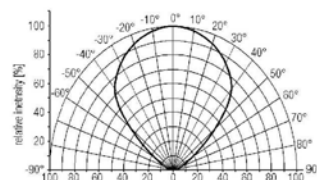
PAN 123 LED downlight uses Tridonic COB LEDs for indoor applications. Housing is made of aluminum body.

Features

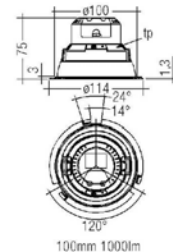
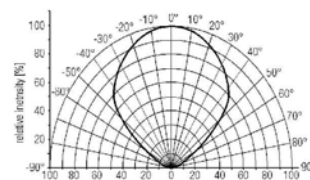
- Downlight module suitable for direct installation in ceilings.
- Module with integrated electronics and heatsink
- SMD LEDs
- Light engine operating with 230VAC
- High system efficacy up to 90 lm/W at $t_p=65$ degree C
- Directional type
- Optional reflector solution
- Small colour tolerance MacAdam 4
- IP rating: IP20 - IP44
- Life-span: 30,000 – 50,000 hours

Dimensions

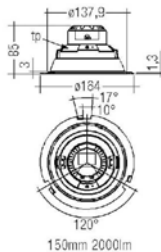
DLA G1 100mm 1000lm 8x0 R SNC



DLA G1 150mm 2000lm 8x0 R SNC



100mm 1000lm



150mm 2000lm

Model	PAN123-11-3	PAN123-11-4	PAN123-22-3	PAN123-22-4
D	100mm	100mm	150mm	150mm

PNDL 1

LED Downlight



Tech. Specification

Model	PN111	PN111	PN1	PN1
Power	11.6W	11.6W	22.7W	22.7W
LED Type	COB			
Luminous Flux	1,000lm	1,050lm	2,000lm	2,100lm
Lumminous Efficacy	86	90	88	92
CCT	3000 k - 4000 k			
P	.9			
CRI (Ra)	>80			
Rated Supply Voltage	220-240 V			
THD	<20%			
TA	-20...+40 C			
Frequency	50/60 Hz			
Ta	-20 C° to 50 C°			

PNDL 126

LED Downlight



PAN
LIGHTING



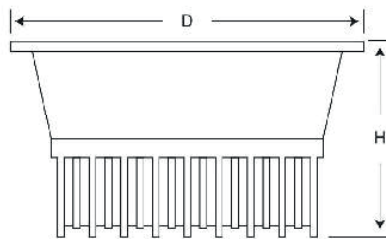
Introduction

PNDL126 LED Downlight uses COB and LED Driver for indoor applications.

Features

- High quality refractor and glass cover
- LED Driver
- COB LEDs
- Hazardous free
- Non-dimmable
- Directional type
- Instant full light
- Installation: Recessed mounted
- IP rating: IP54
- Life span: 50,000 hours

Dimensions



Model	PNDL126-48
H	140 mm
D	240 mm
Cut-Out	210 mm

PNDL 126

LED Downlight

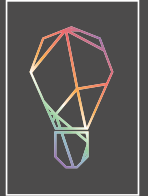


Tech. Specification

Model	PNDL126-48
Power	48W
LED Type	COB
Luminous Flux	5280 lm
Lumminous Efficacy	110
CCT	3000 k - 4000 k - 6500 k
CRI (Ra)	>80
Rated Supply Voltage	220-240 V
Lumen Maintenance	>80
Frequency	50/60 Hz
Ta	20C to 50C
CLASS	I
IP Rating	IP54

PNDL127

LED Downlight



PAN
LIGHTING



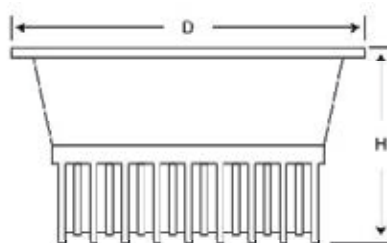
Introduction

PNDL127 LED Downlight uses SMD LED and LED Driver for indoor applications. Housing is made of die-cast aluminum with peart white.

Features

- High performance SMD LEDs
- LED Driver
- High quality PC Opal diffuser
- High quality PC reflector
- For indoor use
- Installation: Recessed Mounted
- IP rating: IP40 - IP54
- Life span: 50,000 hours

Dimintions



Model	PNDL127-10	PNDL127-15	PNDL127-20	PNDL127-30	PNDL127-40
H	48 mm	60 mm	60 mm	72 mm	72 mm
D	115 mm	195 mm	190 mm	230 mm	230 mm

PNDL1

LED Downlight



Tech. Specification

Model	PNDL127-10	PNDL127-20	PNDL127-25	PNDL127-30	PNDL127-40
Power	10W	20W	25W	30W	40W
LED Type	SMD				
Luminous Flux	1056 lm	2400 lm	2808lm	3088 lm	4120 lm
CCT	3000 k - 4000 k				
CRI (Ra)	>85				
Rated Supply Voltage	220-240 V				
Input Voltage	100-265 VAC				
Frequency	50/60 Hz				

PNDL 301

LED Downlight



PAN
LIGHTING



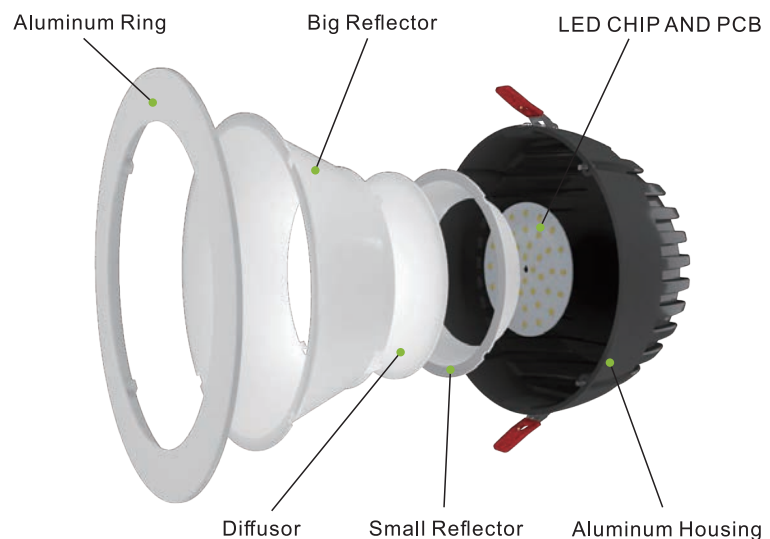
Introduction

PNDL 301 LED Downlight Light with LEDs and Driver is the right choice for many indoor applications. Developed and produced in SAUDI, PAN Lighting has the capabilities and the international connections to make such a suitable products for different applications

Features

- Super low power consumption with maximum brightness
- High PF driver power supply
- High CRI less color distortion, more protection of vision
- Smart thermal design to improve air circulation
- Designed life hour: >50000hrs
- Enviromental friendly reduces pollution
- Reinforced plastic and aluminum bady

Structure



PNDL 301

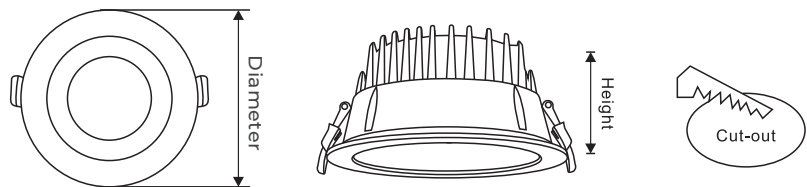
LED Downlight



Tech. Specification

Model	PNDL301-7	PNDL301-10	PNDL301-15	PNDL301-20	PNDL301-30	PNDL301-40
Power	7W	10W	15W	20W	30W	40W
LED Type	SMD/COB					
Beam Angle	60°					
Lumious Flux	630 lm	900 lm	1305 lm	2000 lm	3600 lm	4800 lm
CCT	3000 K 4000 K 6500 K					
CRI (Ra)	>80					
Voltage	220-240 V					
Frequency	50/60 Hz					
IP rating	IP44					

Dimintions



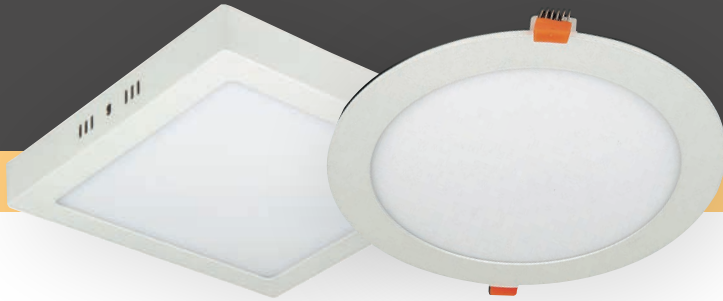
Model	PNDL301-7	PNDL301-10	PNDL301-15	PNDL301-20	PNDL301-30	PNDL301-40
Power	7W	10W	15W	20W	30W	40W
Diameter	90 mm	90 mm	120 mm	165 mm	225 mm	225 mm
Height	56 mm	56 mm	68 mm	87 mm	101 mm	101 mm
Cut-out	80 mm	80 mm	105 mm	145 mm	200 mm	200 mm

PNDL 302

LED Downlight



PAN
LIGHTING



Introduction

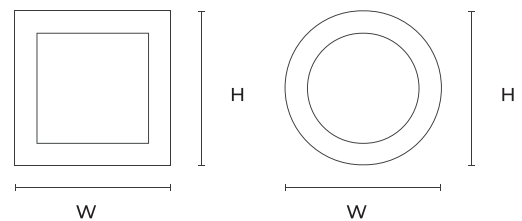
PNDL302 LED Downlight uses SMDs LED for indoor applications. Housing is made of die-cast aluminum coated with powder paint. Luminaire uses High quality paper reflector providing uniform light and output.

Features

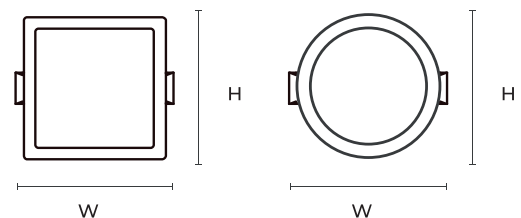
- High efficiency SMD LEDs
- LED driver
- Installation: Surface mounted - Recessed
- IP rating: IP20 - 40 - 44
- Life span: 30,000 hours

Dimensions

PNDL 302A



PNDL 302B



Model	PNDL302A-6	PNDL302A-8	PNDL302A-12	PNDL302A-24	PNDL302B-12	PNDL302B-24
Power	6W	8W	12W	24W	12W	24W
H	120 mm	120 mm	170 mm	300 mm	170 mm	300 mm
W	120 mm	120 mm	170 mm	300 mm	170 mm	300 mm

PNDL 302

LED Downlight



Tech. Specification

PNDL 302A



Model	PNDL302A-6	PNDL302A-8	PNDL302A-12	PNDL302A-24
Power	6W	8W	12W	24W
LED Type	SMD			
Lumious Flux	360 lm	500 lm	900 lm	1920 lm
Efficacy	60 lm/w	63 lm/w	75 lm/w	80 lm/w
CCT	3000 K 4000 K 6500 K			
CRI (Ra)	>80			
Voltage	220-240 V			
Frequency	50/60 Hz			

PNDL 302B



Model	PNDL302B-12	PNDL302B-24
Power	12W	24W
LED Type	SMD	
Lumious Flux	900 lm	1920 lm
Efficacy	75 lm/w	80 lm/w
CCT	3000 K 4000 K 6500 K	
CRI (Ra)	>80	
Voltage	220-240 V	
Frequency	50/60 Hz	

PNCL 101

LED Ceiling Light



PAN
LIGHTING



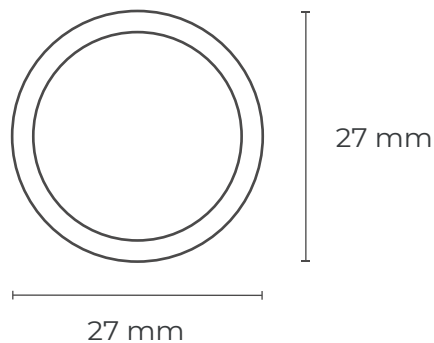
Introduction

PNCL101 LED Ceiling light uses SMD LED. it is the right choice for many applications. Developed and produced in SAUDI, PAN Lighting has the capabilities and the international connections to make such a product suitable and reliable outdoor fixture for all weather conditions.

Features

- SMD LEDs
- IP rating: IP54 - IP65
- High quality PS Opal diffuser
- Installation: Ceiling, Wall-surface mounted
- Lifespan: 50,000 hours

Dimension



LED Module

Housing	Die-casting Alluminum
Color	Customizable
Diffuser	PS Opal Diffuser
Installation	Ceiling, Wall-surface mounted
IP Rating	IP54 - IP65

PNCL 101

LED Ceiling Light



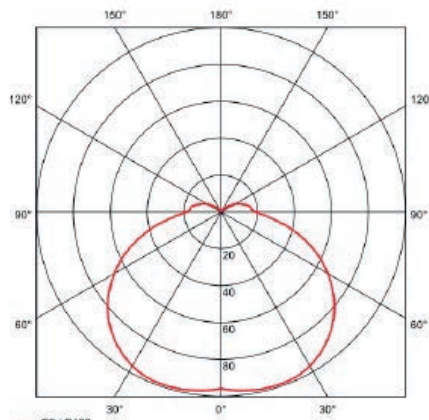
LED Driver & Elec. Sprcification

Driver Brand	Tridonic / Osram
Gautantee	50,000 hours
Rated Supply Voltage	220-240 V
Input Voltage	100-277 VAC
Frequency	50/60 Hz

Lum. Specification

Model	PNCL101-10	PNCL101-16	PNCL101-25	PNCL101-30
Power	10W	16W	25W	30W
LED Type	SMD			
Luminous Flux	900 lm	1440 lm	2250 lm	2700 lm
Lumminous Efficacy	90 lm/w			
CCT	3000K - 4000 k - 6500 k			
CRI (Ra)	>80			

Light Ddistribution



Products Picture



PNCL 103

LED Wall mounted



PAN
LIGHTING



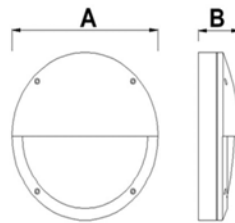
Introduction

PNCL103 LED Downlight uses SMD LED for indoor and outdoor applications.

Features

- SMD LEDs
- IP rating: IP65
- High quality PS Opal diffuser
- Installation: Wall-surface mounted
- Lifespan: 50,000 hours

D



A(mm)	B (mm)	Power
Φ275	85	20W / 30W
Φ350	110	30W / 40W
Φ220	65	15W / 20W

Tech. Specification

Model	PNL10 -15	PNL10 -0	PNL10 -0	PNL10 -0
Power	15W	20W	30W	40W
LED Type	SMD			
Luminous Flux	1500 lm	20000 lm	3000 lm	4000 lm
Lumminous Efficacy	100 lm/w			
CCT	3000K - 4000 k - 6500 k			
CRI (Ra)	>80			
Rated Supply Voltage	220-240 V			
Input Voltage	100-277 VAC			
Frequency	50/60 Hz			

PN01

LED Downlight



PAN
LIGHTING



Introduction

PAN 401 LED Track light uses COB LEDs for indoor applications.

Housing is made of high pressure die-casted aluminum. Luminaire uses PC reflector and Glass difuser.

Features

- COB LEDs
- LED Driver
- Refector is made of PC material - High quality PC reflector
- Luminaire can be rotated 350 Degree horizontally and 90 Degree vertically
- Various beam angle options [narrow – middle – wide]
- IP rating: IP20-40
- Life span: 30,000 – 50,000 hours

PN01

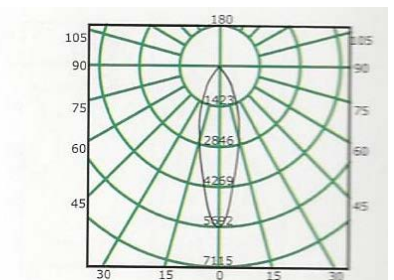
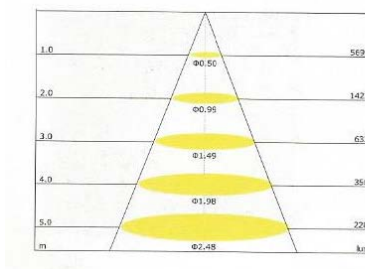
LED Downlight



Tech. Specification

Model	PN01
Power	25W
LED Type	COB
Luminous Flux	2400lm
Lumminous Efficacy	96
CCT	3000 k - 4000 k - 6500 K
CRI (Ra)	>80
Rated Supply Voltage	220-240 V
Input Voltage	198-264VAC
Beam angle	15 /24 /40
Frequency	50/60 Hz

Light Distribution





PAN
LIGHTING

PNLN101

LED LinearLight



Introduction

PNLN105 LED Linear light with SMD LED and SMD driver. it is the right choice for many applications. Developed and produced in SAUDI, PAN Lighting has the capabilities and the international connections to make such a product suitable and reliable outdoor fixture for all weather conditions.

Features

- High purity quality extruded aluminium.
- Surface anodized or RAL color system epoxy powder coated UV resistance
- Surface installation
- IP rating: IP20

Data

Model	PNLN101-40	PNLN101-30	PNLN101-20
Power	40W	30W	20W
LED Type	SMD		
Lumious Flux	3800 lm	2850 lm	1900 lm
Efficacy	95 lm/w	95 lm/w	95 lm/w
CCT	3000 K	4000 K	6500 K
CRI (Ra)	>80		
Voltage	240-220 V		
Frequency	60/50 Hz		

PNLN101

LED LinearLight



Specification

Housing	High purity quality extruded aluminium, surface anodized or RAL color system epoxy powder coated UV resistance
Optic	Sanded semi-opal polycarbonate diffuser
Installation	Surface / Suspended
IP Rating	IP40/65
Options	Dimming, Emergency Customized length on request

LED Module

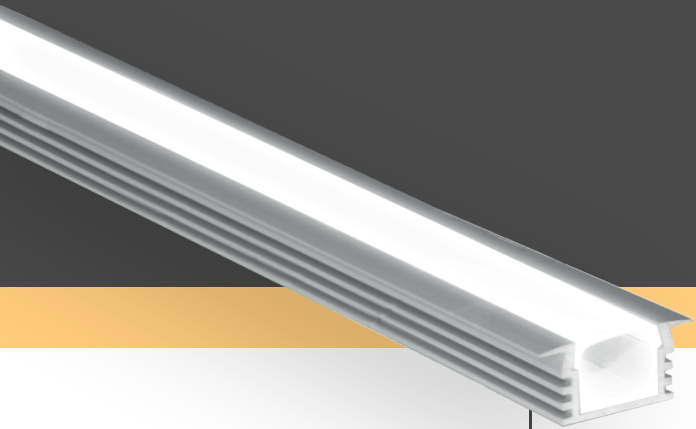
LED Brand	Cree / Lumiled
Efficiency	95 lm/W
CCT	3000k - 4000k - 6500k
CRI	>80
Wiring	Push terminals for quick & simple wiring of LED module to LED module
Long Lifetime	50,000 hours (30,000 hours optional)

PNLN102

LED LinearLight



PAN
LIGHTING



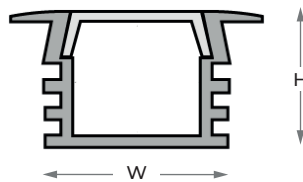
Introduction

PNLN102 LED Linear light with SMD LED and SMD driver. it is the right choice for many applications. Developed and produced in SAUDI, PAN Lighting has the capabilities and the international connections to make such a product suitable and reliable outdoor fixture for all weather conditions.

Features

- High purity quality extruded aluminium.
- Surface anodized or RAL color system epoxy powder coated UV resistance
- Recessed installation
- IP rating: IP20

Dimintions



Model	PNLN102
Length	1000 mm
Width	12 mm
Height	24mm

PNLN102

LED LinearLight



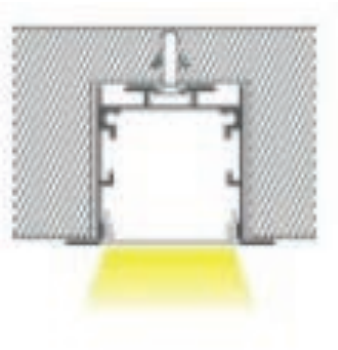
Specification

Housing	High purity quality extruded aluminium, surface anodized or RAL color system epoxy powder coated UV resistance
Optic	Sanded semi-opal polycarbonate diffuser
Installation	Recessed
IP Rating	IP20
Options	Dimming, Emergency Customized length on request

LED Module

Power	20 W
LED Brand	Cree / Lumiled
Driver Brand	Tridonic / Osram
Lumen Flux	1900 lm
Efficiency	95 lm/W
CCT	3000k - 4000k - 6500k
CRI	>80

Light Distrubution & Strip image



PAN 718

LED LinearLight



PAN
LIGHTING

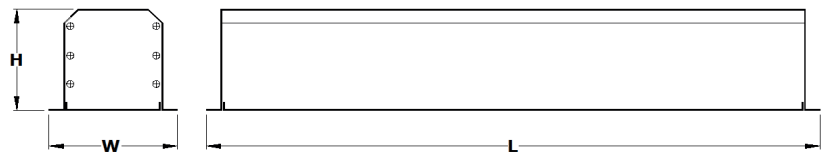
Introduction

PAN718 LED Linear light with SMD LED and SMD driver. It is the right choice for many applications. Developed and produced in SAUDI, PAN Lighting has the capabilities and the international connections to make such a product suitable and reliable indoor fixture.

Features

- High purity quality aluminium
- Surface anodized or RAL color system epoxy powder coated UV resistance
- Recessed installation
- IP rating: IP44

Dimensions



Model	PAN718-2	PAN718-3	PAN718-4
Length	1165 mm	1730 mm	2290 mm
Width	106 mm	106 mm	106 mm
Height	90 mm	90 mm	90 mm
Cut-out	1145 x 86 mm	1710 x 86 mm	2270 x 86 mm

PAN 718

LED LinearLight



Luminaire Spec.

Model	PAN2-718X11	PAN2-718X22	PAN3-718X11	PAN3-718X22	PAN4-718X11	PAN4-718X22
Power	22W	44W	33W	66W	44W	88W
L D Type	SMD					
Lumious Flux	2200 lm	4400 lm	3300 lm	6600 lm	4400 lm	8800 lm
Efficacy	100 lm/w	100 lm/w	100 lm/w	100 lm/w	100 lm/w	100 lm/w
CCT	3000 K 4000 K 6500 K					
CRI (Ra)	>80					
Voltage	220-110 V					
Frequency	60/50 Hz					

Fixture Spec.

Housing	High purity quality extruded aluminium, surface anodized or RAL color system epoxy powder coated UV resistance
Optic	Sanded semi-opal polycarbonate diffuser
Installation	Recessed
IP Rating	IP44
Options	Dimming, Emergency Customized length on request

LED Module

LED Brand	Cree / Lumiled
Efficiency	110+ lm/W
CCT	3000k - 4000k - 6500k
CRI	>80
Wiring	Push terminals for quick & simple wiring of LED module to LED module
Long Lifetime	50,000 hours (30,000 hours optional)

LED Driver

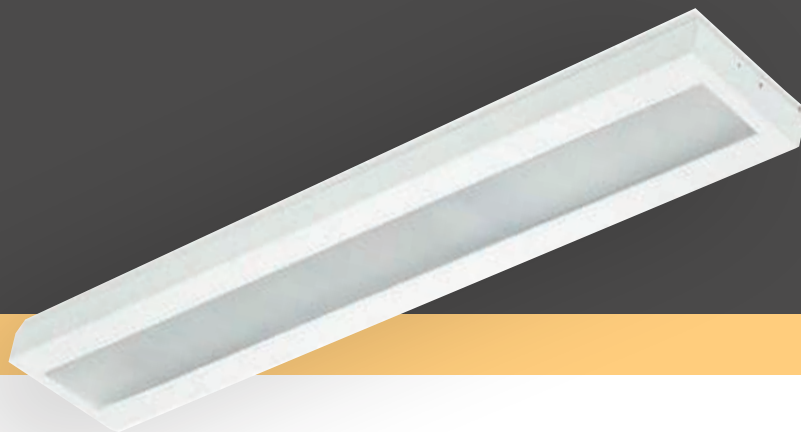
Driver Brand	Tridonic / Osram
Gautantee	50,000 hours (30,000 hours optional)

PAN 230

LED Surface mounted



PAN
LIGHTING



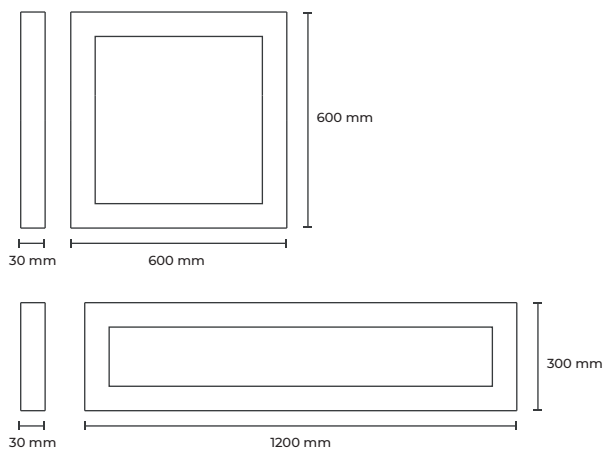
Introduction

PAN 230 LED Surface mounted uses SMDs LED for indoor applications. Housing is made of high quality cold-roll steel with color powder coating. Luminaire is available with wide option of diffusers.

Features

- High efficiency SMD LEDs
- LED driver
- Options: 60x60 and 30x120
- Installation: Surface mounted.
- IP rating: IP44 / IP54
- Life span: 30,000 - 50,000 hours

Dimensions



Model	PAN230-0	PAN230-0
Length	1200 mm	600 mm
Width	300 mm	600 mm
Depth	30 mm	30 mm

PAN 230

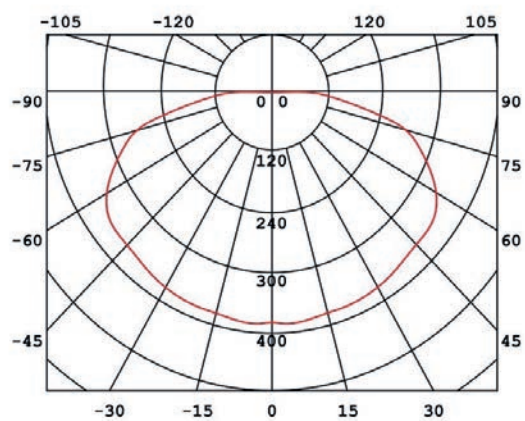
LED Surface mounted lamp



Tech. Specification

Model	PAN230-60	PAN230-0
Power	60W	80W
LED Type	SMD	
Luminous Flux	6000 lm	8000 lm
Lumminous Efficacy	100 lm/w	
Color Temperature (CCT)	3000 - 4000 - 6500 k	
Beam Angle	93°	
CRI (Ra)	>80	
Rated Supply Voltage	220-240 V	
Input Voltage	100-260 VAC	
Frequency	50/60 Hz	

Light Distribution





PAN
LIGHTING

PNSF 303

LED Surface mounted



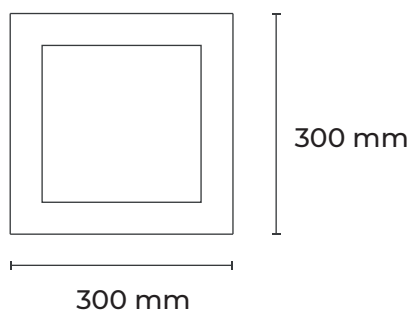
Introduction

PNSF303 LED Surface mounted uses SMDs LED for indoor applications. Housing is made of high quality cold-roll steel with color powder coating. Luminaire is available with wide otion of diffusers.

Features

- High efficiency SMD LEDs
- LED driver
- Installation: Surface mounted.
- IP rating: IP54
- Life span: 50,000 hours

Dimentions



Tech. Specification

Model	PNSF303-22
Power	22W
LED Type	SMD
Luminous Flux	1760lm
Color Temperature (CCT)	3000 - 4000 - 6500 k
CRI (Ra)	>80
Rated Supply Voltage	220-240 V
Input Voltage	100-260 VAC
Frequency	50/60 Hz



PAN
LIGHTING

PAN 721

LED Wall mounted



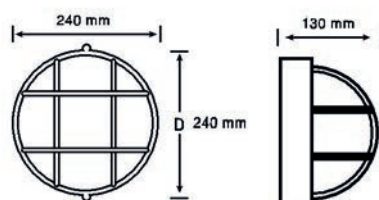
Introduction

PAN 721 LED Wall mounted uses LED Lamp for outdoor applications. Housing is made of die-cast aluminum.

Features

- IP rating: IP56 - IP65
- Porcelain E27
- High quality glass diffuser
- High quality PC lens
- Direct mounted on wall

Dimensions



Tech. Specification

Model Number	Type
721-1X9	1x9 W LED Lamp
721-2X9	2x9 W LED Lamps
721-1X12	1x12 W LED Lamp
721-2X12	2x12 W LED Lamps
721-1X14	1x14 W LED Lamp
721-2X14	2x14 W LED Lamps

PAN 920

LED Wall light



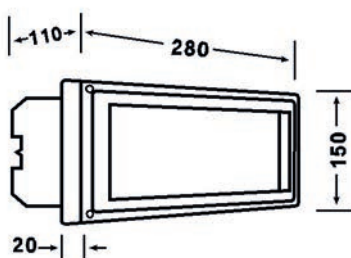
Introduction

PAN 920 LED Wall light uses SMD LED for outdoor applications. Housing is made of die cast aluminum chemically treated with a fully de greasing process.

Features

- SMD LED
- IP rating: IP65
- High quality PS Opal diffuser
- Installation: Wall-surface mounted

Dimensions



Tech. Specification

Model	PAN920-5
Power	5W
LED Type	SMD
Lumious Flux	450 lm
Efficacy	90 lm/w
CCT	3000 K 4000 K 6500 K
CRI (Ra)	>80
Voltage	220-240 V
Frequency	50/60 Hz



PAN
LIGHTING

PAN 314

LED Weather proof



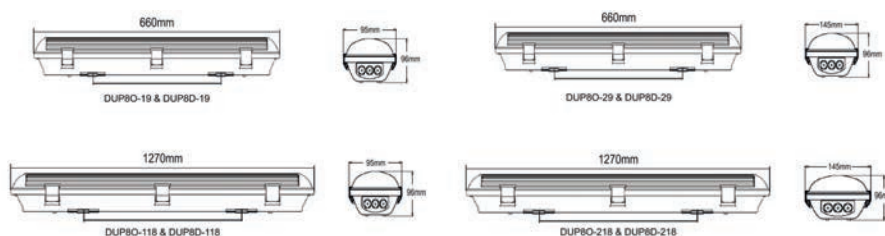
Introduction

PAN 314 LED weather proof luminaire uses LED tubes or LED Modules for indoor and outdoor applications. Housing is made of UV stabilized polycarbonate body and white – coated flat metal plate. Luminaire uses UV stabilized polycarbonated impact resistance diffuser.

Features

- LED Tube, LLE Modules.
- Built-in LED Converter for LED tubes.
- Can be made with LED Emergency Kit
- Optional Prismatic or PC Transparent diffuser
- Working temperature -20 Degree C to 50 Degree C
- Installation: Surface Mounted / Pendant
- IP rating: IP65
- IK rating: IK08
- Life span: 30,000-50,000 hours depending on the selected LEDs.

Dimensions



Model	PAN314-118	PAN314-218	PAN314-118	PAN314-218	PAN314-23	PAN314-46
Power	1x8 W	2x8W	1x16 W	2x16W	2x11.5 W	4x11.5 W
Driver	Built-in LED Driver				LED Driver	
Light source	LED Tube				2xLLE Modules	
Luminous Flux (Per Lamp)	800-900 lm	800-900 lm	1700 lm	1700 lm	1320 lm	1320 lm
Lumminous Efficacy	88-95	88-95	95	95	115	115
CCT	3000 k - 4000 k - 6500 k					
Diffuser	PC Diffuser					
Rated Supply Voltage	220-240 V					
Input Voltage	160-265 VAC					
Frequency	50/60 Hz					



PAN
LIGHTING

PNPL 107

LED Panel Light



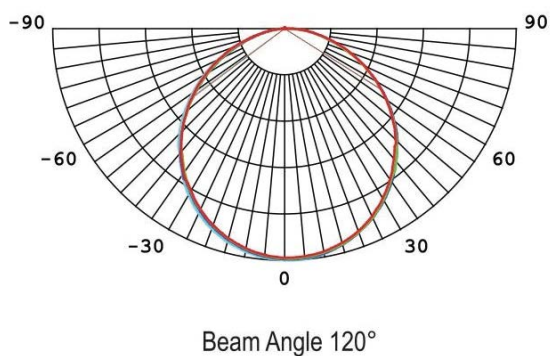
Introduction

PNPL LED Panel with LEDs and Driver for indoor applications. Housing is made of die-cast aluminum coated with powder paint. Luminaire uses Mitsubishi laser printed LGP and High quality paper reflector providing uniform light and output.

Features

- High quality PS Diffuseer with light transmittance >92%
- Mitsubishi LGP with special laser printing to achieve maximum light output.
- Hazardous free
- Non-dimmable
- Directional type
- Instant full light
- Installation: Recessed / Pendant / Surface mounted
- Working temperature: -20 C to 50 C
- IP rating: IP40
- Lifespan: 50,000 hours

Light Distribution



PNPL 107

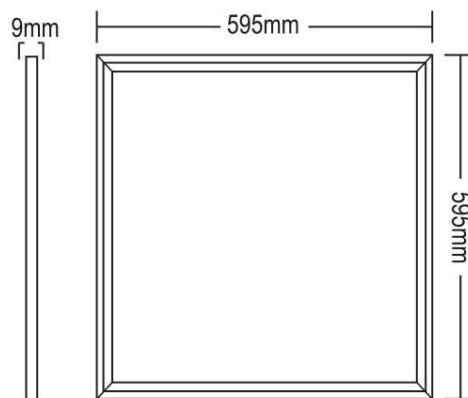
LED Panel Light



Tech. Specification

Model	PNPL107-40	PNPL107-60
Power	40 W	60 W
LED Type	SMD	
Luminous Flux	4000 lm	6000 lm
Lumminous Efficacy	100	100
CCT	3000 k - 4000 k - 6500 k	
Baem Angle	120°	
CRI (Ra)	>80	
Rated Supply Voltage	220-240 V	
Lumen Maintenance	>80	
Frequency	50/60 Hz	
Ta	20C to 50C	
IMAX (cd)	1550	
CLASS	II	

Dimintions



Model	PNPL107
H	595 mm
D	595 mm
	9 mm



PAN
LIGHTING

PNPL 108

LED Panel Light



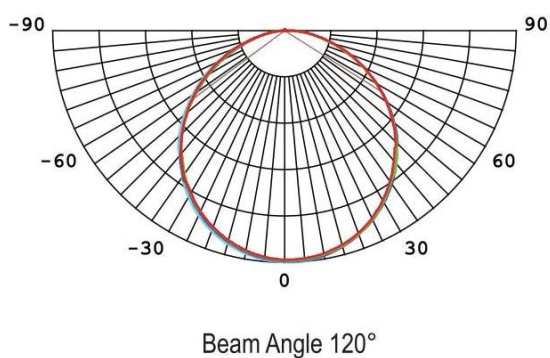
Introduction

PNPL108 LED Panel with LEDs and Driver for indoor applications. Housing is made of die-cast aluminum coated with powder paint. Luminaire uses High quality paper reflector providing uniform light and output.

Features

- SMD LEDs
- LED driver upon request
- High quality PS Diffuser with light transmittance >92%
- Can be made with LED Emergency kit
- Installation: Recessed
- IP rating: IP20 / IP40 / IP54
- Lifespan: 30,000

Light Distribution



PNPL 108

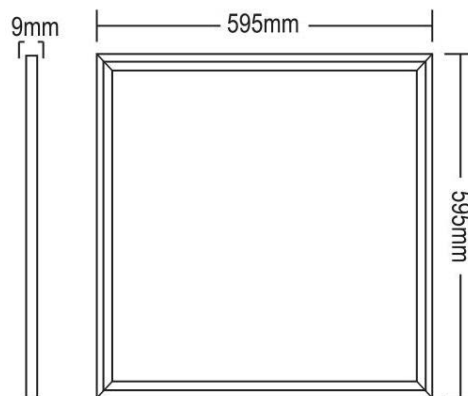
LED Panel Light



Tech. Specification

Model	PNPL108-45
Power	45 W
LED Type	SMD
Luminous Flux	4000 lm
CCT	3000 k - 4000 k - 6500 k
Baem Angle	120°
CRI (Ra)	>80
Rated Supply Voltage	220-240 V
Lumen Maintenance	>80
Frequency	50/60 Hz
Ta	20C to 50C
IMAX (cd)	1550
CLASS	II

Dimentions



Model	PNPL108
H	595 mm
D	595 mm
	9 mm

PNPL 201

LED Panel light



PAN
LIGHTING



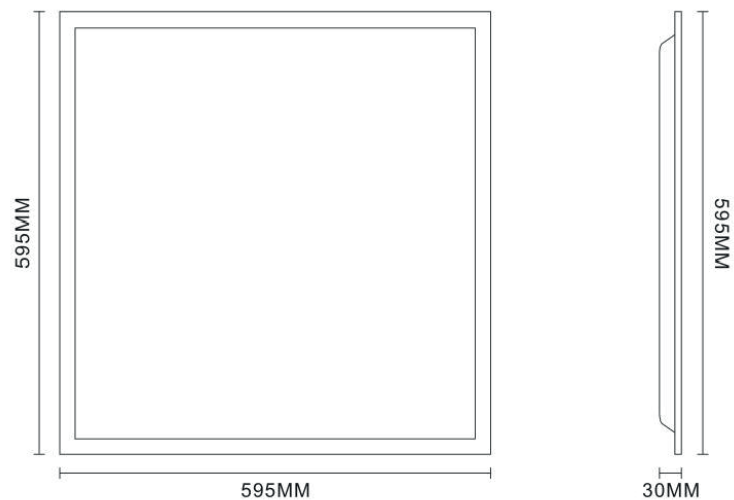
Introduction

PNPL 201 LED Panel Light with LEDs and Driver is the right choice for many indoor applications. Developed and produced in SAUDI, PAN Lighting has the capabilities and the international connections to make such a suitable products for different applications

Features

- Super low power consumption with maximum brightness
- High PF driver power supply
- High CRI less color distortion, more protection of vision
- LED driver upon request

Dimensions



PNDL 201

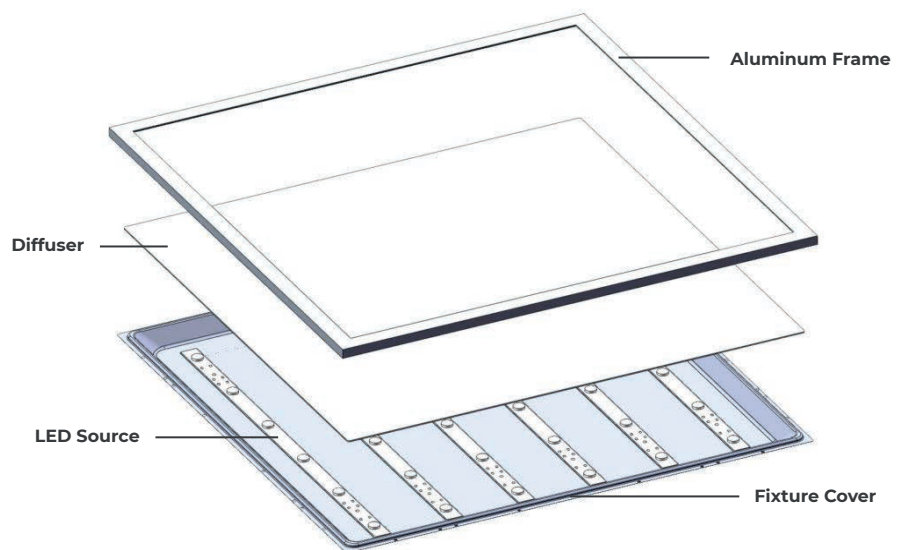
LED Panel light



Tech. Specification

Model	PNPL201-36	PNPL201-40	PNPL201-48
Power	36W	40W	48W
LED Type	SMD		
Beam Angle	60°		
Lumious Flux	3600 lm	4000 lm	4800 lm
Efficacy	100 lm/w	100 lm/w	100 lm/w
CCT	3000 K 4000 K 6500 K		
CRI (Ra)	>80		
Voltage	110-220 V		
Frequency	50/60 Hz		
Power Factor	0.9		
IP rating	IP20		

Structure





LED OUTDOOR



PNSL 111

LED StreetLight



PAN
LIGHTING



IP66

IK08

CLASS
RoHS

CRI
70/80/90

- 2700 K
- 3000 K
- 4000 K
- 5000 K
- 6500 K

Introduction

PNSL111 StreetLight with power 20 up to 230 Watt fixtures and SMD LED. it is the right choice for many applications. Developed and produced in SAUDI, PAN Lighting has the capabilities and the international connections to make such a product suitable and reliable outdoor fixture for all weather conditions.

Features

- LED Driver
- SMD LEDs
- UV Protected PC Diffuser with transmittance rate 97%
- Independent LED modules make maintenance easier
- Tool-less entry hinged removable door for easy maintenance.
- Auto-electrical disconnection: Built-in circuit breaker, tool free electrical gear tray.
- 3G vibration rated.
- Working temperature: -40 °C to 55 °C
- IP rating: IP66
- IK rating: IK08
- Life span: 50,000 hours
- 0-10V/ PWM /Timer dimming, 3 Timer Modes, Power Factor (PF) \geq 0.95
- High efficiency driver
- Input Surge Protection: 6kV line-line, 10kV line-earth, 20KV SPD available.
- Photocell, Zhaga Base, Zigbee or Lora Lighting Controller available.
- Surge Protective Device.
- VOLTAGE: 100-277v
- It can be available with NemaSocket

1. Heavy-duty die-cast aluminum housing, UV stabilized polyester powder paint, reserved space for photocell
2. Buckle design. Tool-less entry for easy maintenance
3. Class I /Class II Dimmable driver
4. Isolated removable plate for driver
5. Auto power cutoff protector, tool free electrical gear tray
6. Supporting rod
7. Fin shape radiator design, better heat dissipation to protect lifespan of fixture.



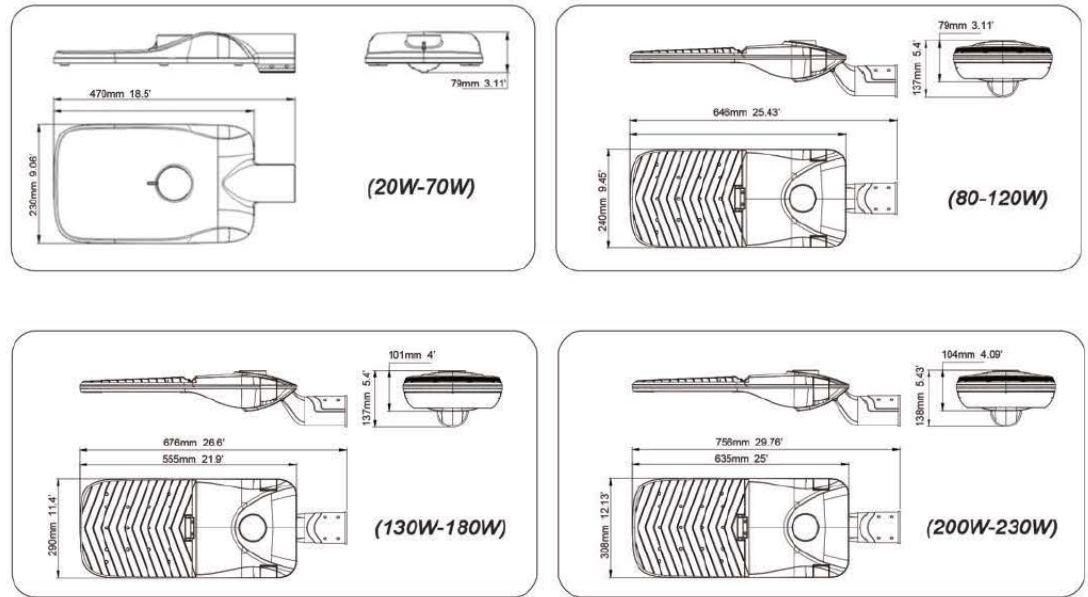
PNSL 111

LED StreetLight



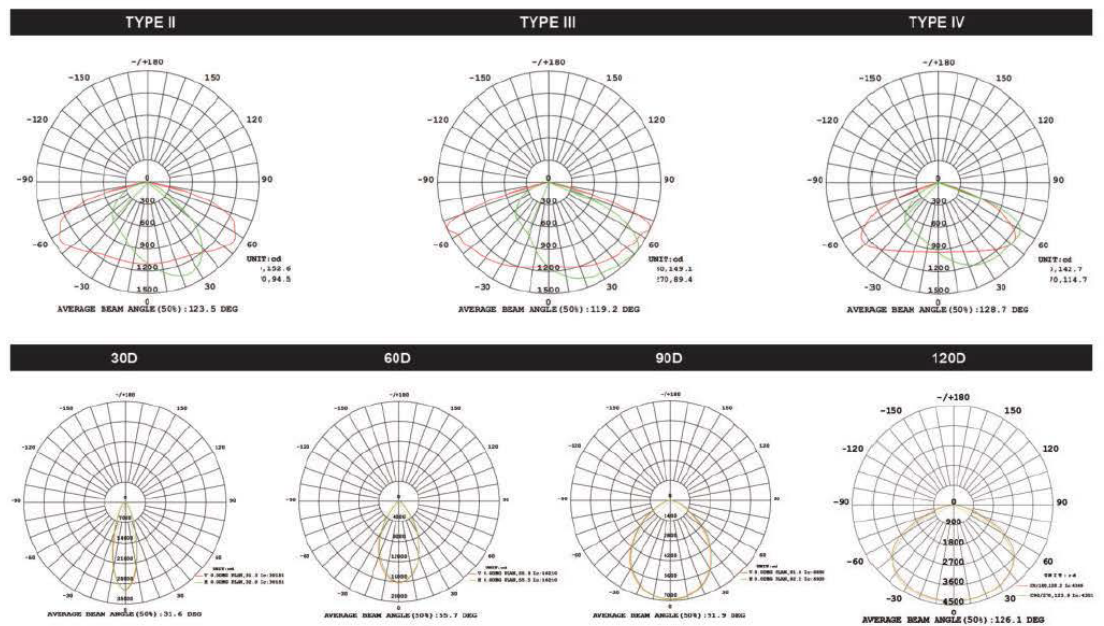
PAN
LIGHTING

Dimensions



Model	Length	Width	Height
20W-70W	470 mm	230 mm	79 mm
80W-120W	646 mm	240 mm	137 mm
130W-180W	676 mm	290 mm	137 mm
200W-230W	756 mm	308 mm	138 mm

PHOTOMETRY



PNSL 111

LED StreetLight



PAN
LIGHTING

Tech. Specification



Model	PNSL111																
Power (W)	20	30	40	50	60	70	80	90	100	120	130	150	160	180	200	220	230
Efficacy (lm/w)	155	155	155	150	155	150	150	150	155	150	150	150	150	145	155	150	150
Luminous Flux	3100	4650	6200	7500	9300	10500	12000	13500	1550	18000	19500	22500	24000	26100	31000	33000	34500
LED Type	SMD																
LED Chip Brand	Cree - Lumileds																
CCT	3000 k - 4000 k - 6500 k																
CRI	>70 - >80 - >90																
Surge Protection	6kV line-line, 10kV line-earth, 20KV SPD available.																
LED Driver	Constant current Class II driver, 100-277Vac, 50-60Hz, Class I optional.																
Driver Brand	Inventronics - Meanwell																
Power Factor	≥0.95																
Voltage	100-277v																
Working Temp	-40 °C to 55 °C																
Frequency	50-60 Hz																

PAN LIGHTING FACTORY

PNSL107



With Buckle

10 Seconds Installation



Slip fitter



Round pole mount



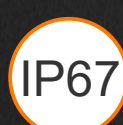
Square pole/Wall mount



Wall-Mount



U-Bracket



PNSL107

Features

- 1. Hollow out heat sink design makes the lamp lighter and better at heat dissipation
- 2. High Lumen SMD3030 Led Chip
- 3. Snap-in power cover, easier and faster to install
- 4. High efficient light with significant energy and cost savings
- 5. Varieties of installation fittings for different applications
- 6. Light distribution: Type III IV V

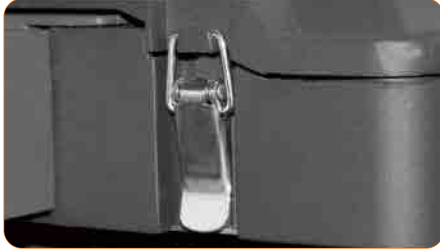
Tool-free LED Driver Replacement

Independent driver board
easy replacement



With Buckle

Open the cover free-tool

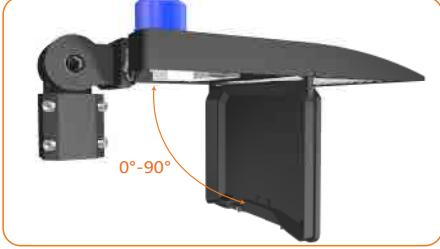


Bubble Level

The level instrument accurates the installation
of lamps in one minute



Fixed driver box with 90 degree
adjusted



Intelligent

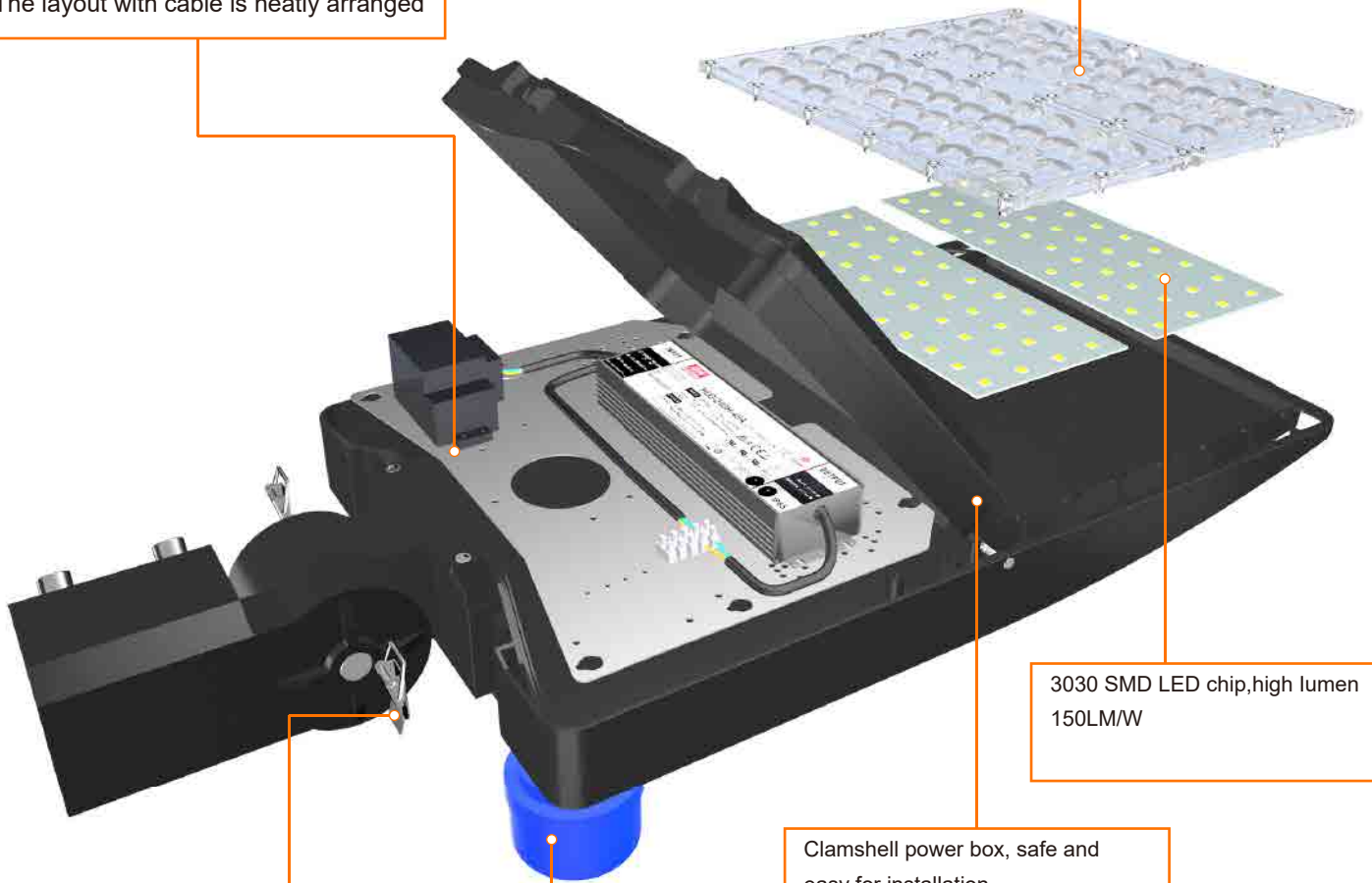
- ▶ 0-10V Dimming
- ▶ Timer Control
- ▶ DALI Control
- ▶ Photocell
- ▶ Occupancy sensor

PNSL107

Features

Driver board separately installed on housing, easy for replacement and installation of driver and smart control
The layout with cable is neatly arranged

Light distribution: Type III IV V



3030 SMD LED chip, high lumen
150LM/W

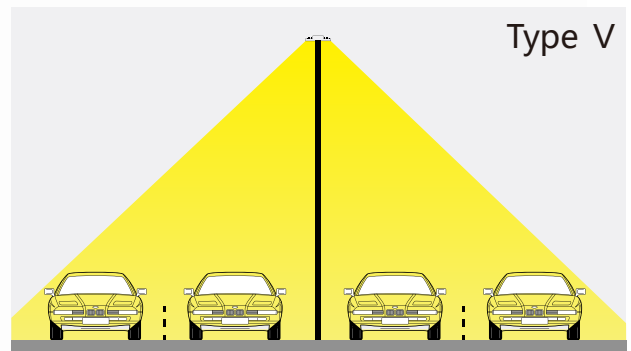
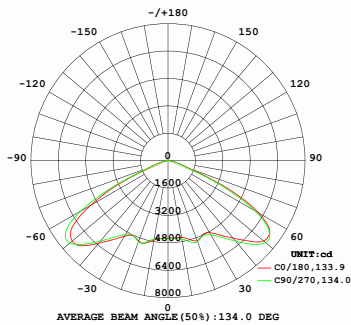
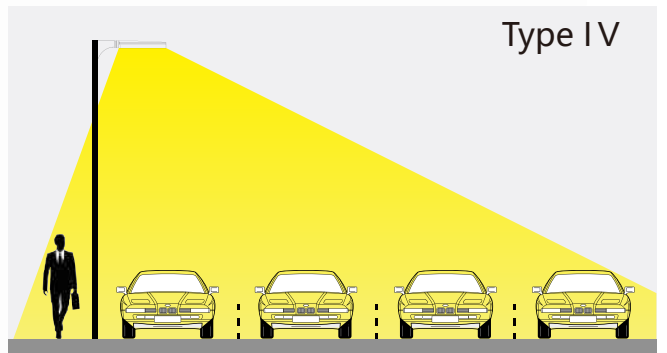
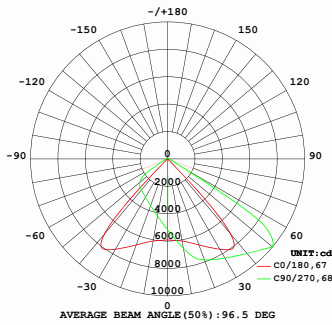
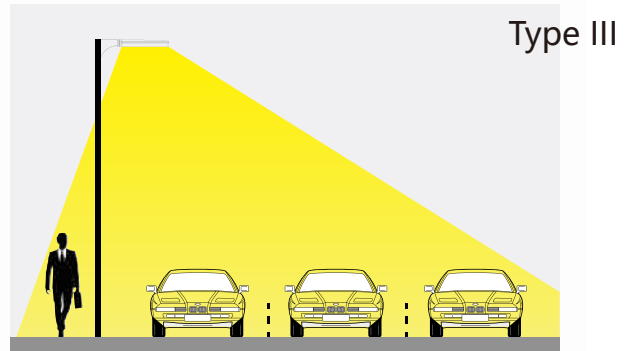
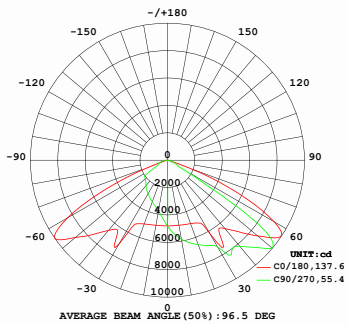
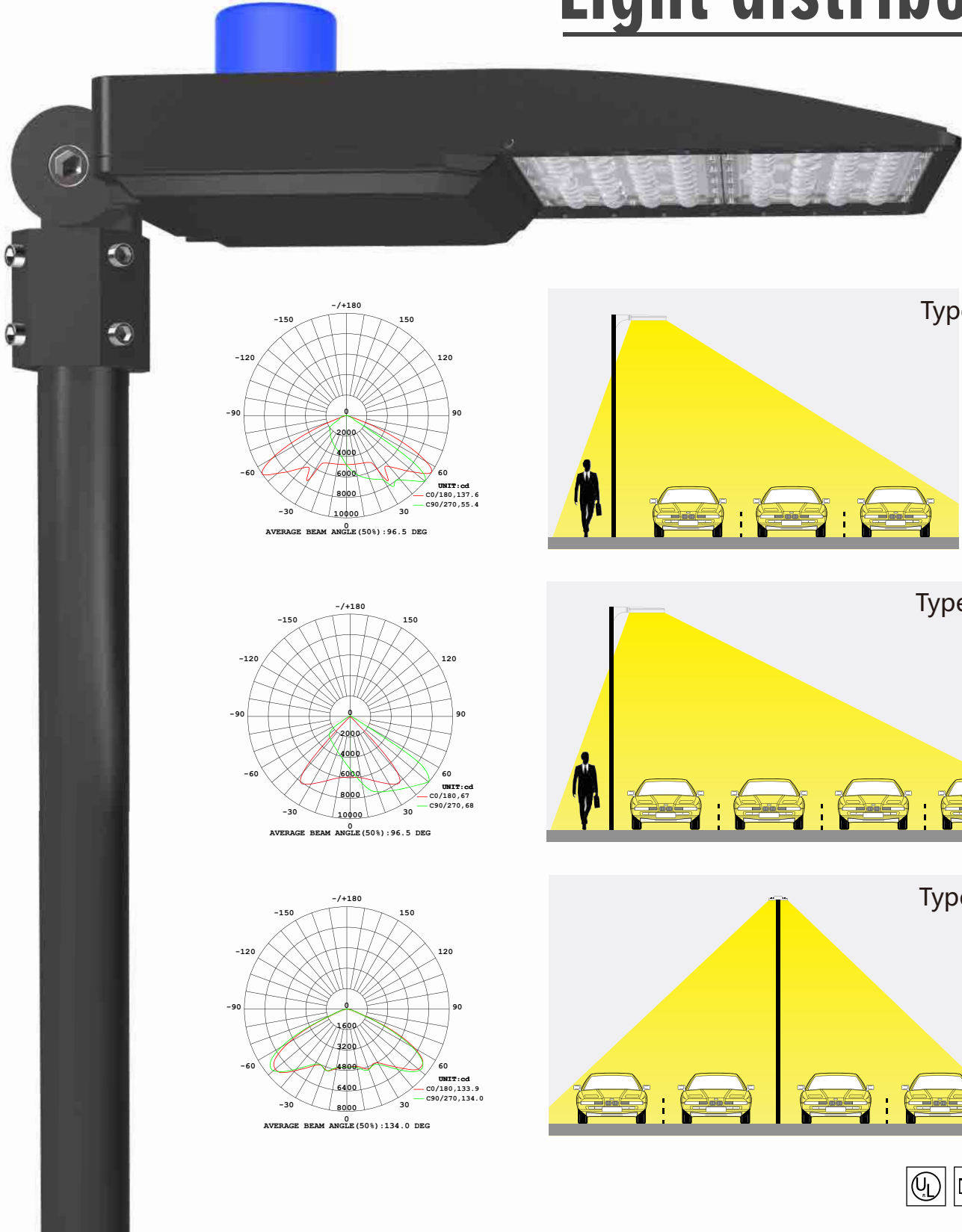
Clamshell power box, safe and
easy for installation

Driver box is fixed by snap without any screws which
makes assembling very conveniently.
Easy to install and saving cost of maintenance

Support all kinds of intelligent
sensors (photocell, PIR sensor,
timing, etc)

PNSL107

Light distribution

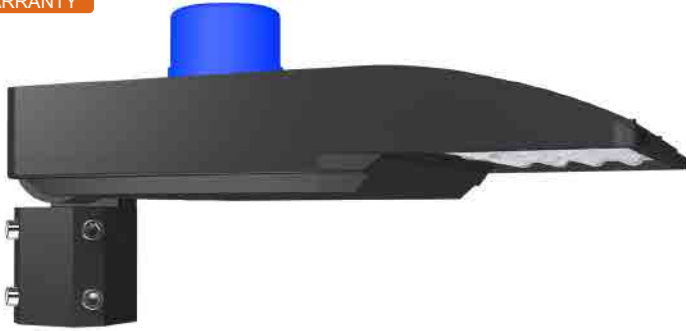


PNSL107

SEVEN - YEAR
7
WARRANTY

100W

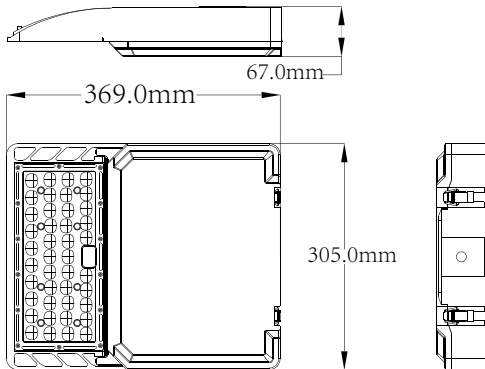
SPECIFICATIONS



Technical Data

Model Number	PNSL 100W
Power	100W
Luminous Efficacy	150lm/W
Lumen Output	15000lm
LED Quantity	144pcs
Dimension	369*305*67mm
CCT	3000K 4000K 5000K 6000K (Custom Option)
CRI	>80Ra
System Efficiency	≥90%
Lens	Type III, Type IV, Type V

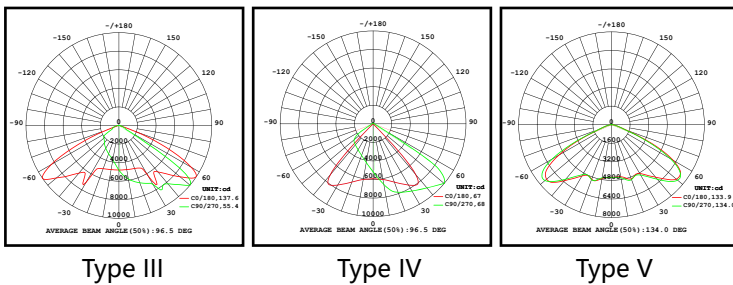
Product Dimensions



Electrical Details

Input Voltage	AC100-277V/347V/480V
Power Frequency	50-60Hz
Output Voltage	DC36-48V
Power Efficiency	>92%
Power Factor	≥0.95
Total Harmonic Distortion	≤15%
Dimmable	Yes (Optional)

Photometrics



Other Details

IP Rating	IP67
Lifespan	100,000+ Hours
Storage Temperature	-20°~65°C
Operating Temperature	-20°~55°C
Luminaire Net Weight	5.25KG
Certification	UL, DLC Premium, SAA, TUV, VEET, CB
Color of housing	Brown(customized)



PNSL107

SEVEN - YEAR
7
WARRANTY

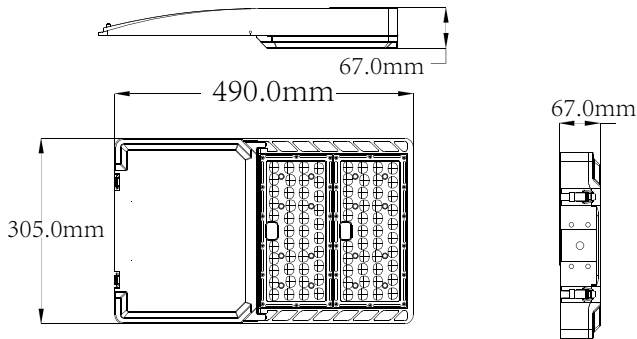
150W

SPECIFICATIONS

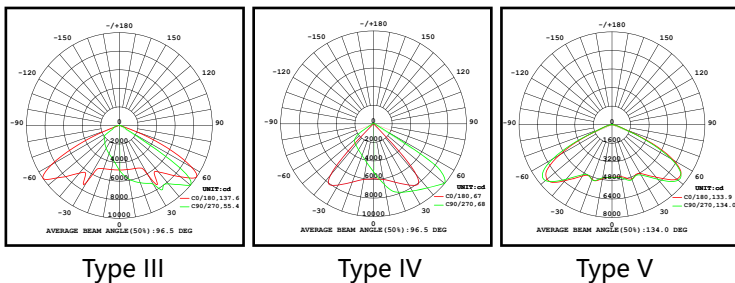
Technical Data

Model Number	PNSL 150W
Power	150W
Luminous Efficacy	150lm/W
Lumen Output	22500lm
LED Quantity	288pcs
Dimension	490*305*67mm
CCT	3000K 4000K 5000K 6000K (Custom Option)
CRI	>80Ra
System Efficiency	≥90%
Lens	Type III, Type IV, Type V

Product Dimensions



Photometrics



Electrical Details

Input Voltage	AC100-277V/347V/480V
Power Frequency	50-60Hz
Output Voltage	DC36-48V
Power Efficiency	>92%
Power Factor	≥0.95
Total Harmonic Distortion	≤15%
Dimmable	Yes (Optional)

Other Details

IP Rating	IP67
Lifespan	100,000+ Hours
Storage Temperature	-20°~65°C
Operating Temperature	-20°~55°C
Luminaire Net Weight	6.35KG
Certification	UL, DLC Premium, SAA, TUV, VEET, CB
Color of housing	Brown(customized)



PNSL107

SEVEN - YEAR
7
WARRANTY

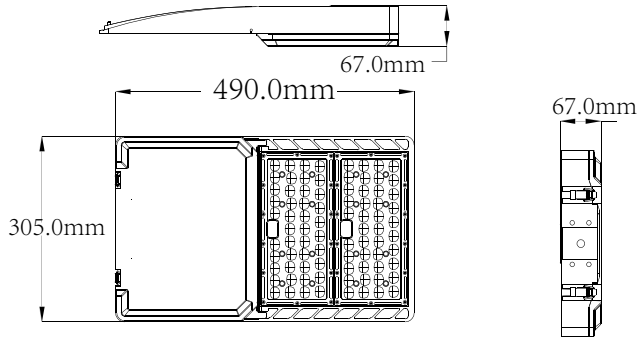
200W

SPECIFICATIONS

Technical Data

Model Number	PNSL 200W
Power	200W
Luminous Efficacy	150lm/W
Lumen Output	30000lm
LED Quantity	288pcs
Dimension	490*305*67mm
CCT	3000K 4000K 5000K 6000K (Custom Option)
CRI	>80Ra
System Efficiency	≥90%
Lens	Type III, Type IV, Type V

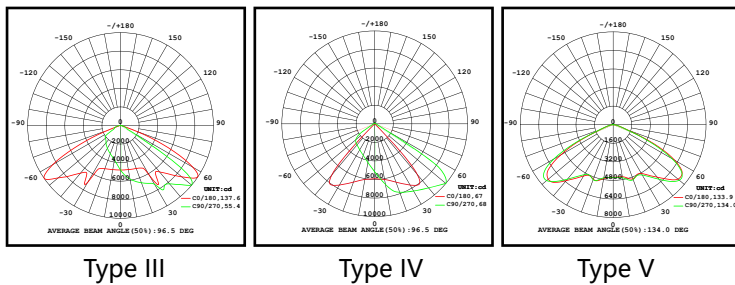
Product Dimensions



Electrical Details

Input Voltage	AC100-277V/347V/480V
Power Frequency	50-60Hz
Output Voltage	DC36-48V
Power Efficiency	>92%
Power Factor	≥0.95
Total Harmonic Distortion	≤15%
Dimmable	Yes (Optional)

Photometrics



Other Details

IP Rating	IP67
Lifespan	100,000+ Hours
Storage Temperature	-20°~65°C
Operating Temperature	-20°~55°C
Luminaire Net Weight	6.5KG
Certification	UL,DLC Premium,SAA,TUV,VEET,CB
Color of housing	Brown(customized)

PNSL107

SEVEN - YEAR
7
WARRANTY

250W

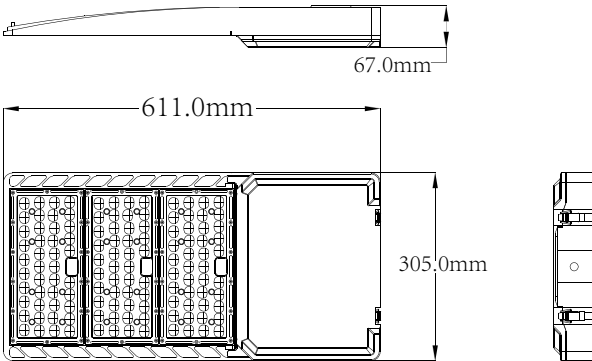
SPECIFICATIONS



Technical Data

Model Number	PNSL 250W
Power	250W
Luminous Efficacy	150lm/W
Lumen Output	37500lm
LED Quantity	432pcs
Dimension	611*305*67mm
CCT	3000K 4000K 5000K 6000K (Custom Option)
CRI	>80Ra
System Efficiency	≥90%
Lens	Type III, Type IV, Type V

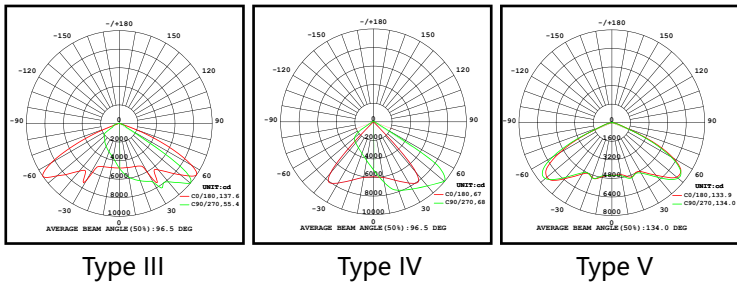
Product Dimensions



Electrical Details

Input Voltage	AC100-277V/347V/480V
Power Frequency	50-60Hz
Output Voltage	DC36-48V
Power Efficiency	>92%
Power Factor	≥0.95
Total Harmonic Distortion	≤15%
Dimmable	Yes (Optional)

Photometrics



Other Details

IP Rating	IP67
Lifespan	100,000+ Hours
Storage Temperature	-20°~65°C
Operating Temperature	-20°~55°C
Luminaire Net Weight	6.85KG
Certification	UL,DLC Premium,SAA,TUV,VEET,CB
Color of housing	Brown(customized)

PNSL107

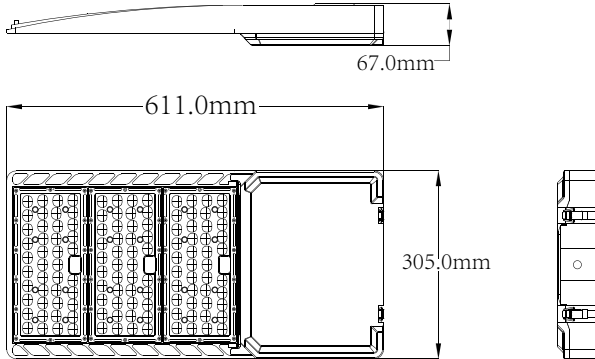
SEVEN - YEAR
7
WARRANTY

300W

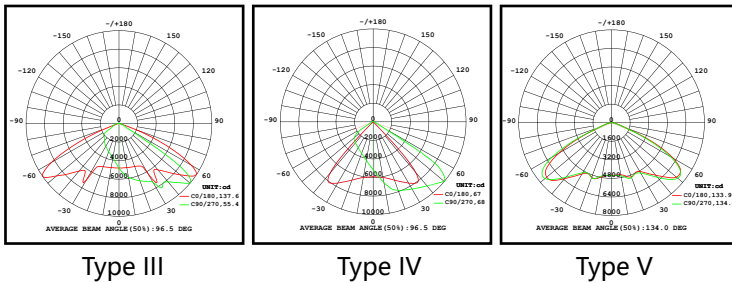
SPECIFICATIONS



Product Dimensions



Photometrics



Technical Data

Model Number	PNSL 300W
Power	300W
Luminous Efficacy	150lm/W
Lumen Output	45000lm
LED Quantity	432pcs
Dimension	611*305*67mm
CCT	3000K 4000K 5000K 6000K (Custom Option)
CRI	>80Ra
System Efficiency	≥90%
Lens	Type III, Type IV, Type V

Electrical Details

Input Voltage	AC100-277V/347V/480V
Power Frequency	50-60Hz
Output Voltage	DC36-48V
Power Efficiency	>92%
Power Factor	≥0.95
Total Harmonic Distortion	≤15%
Dimmable	Yes (Optional)

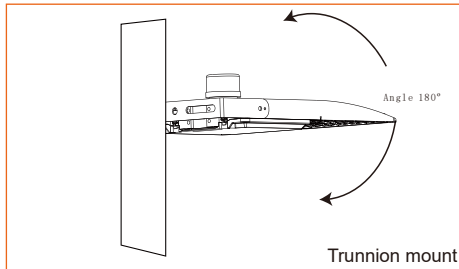
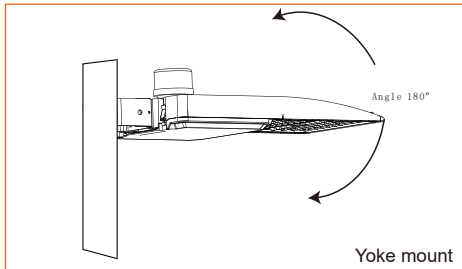
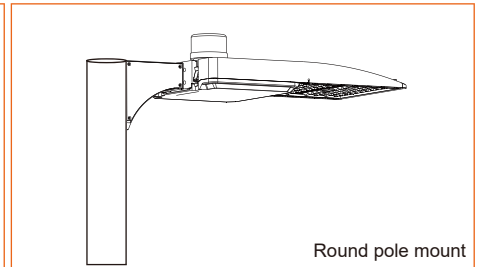
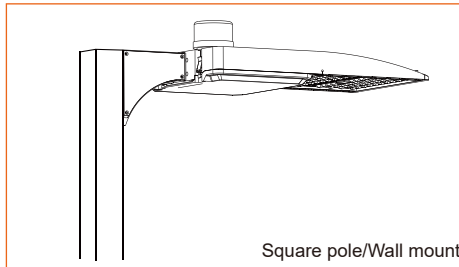
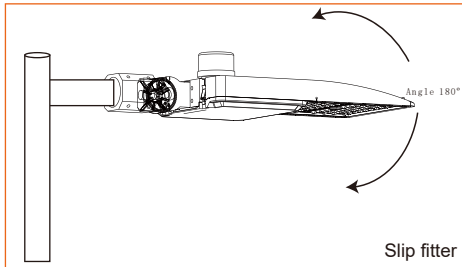
Other Details

IP Rating	IP67
Lifespan	100,000+ Hours
Storage Temperature	-20°~65°C
Operating Temperature	-20°~55°C
Luminaire Net Weight	7KG
Certification	UL,DLC Premium,SAA,TUV,VEET,CB
Color of housing	Brown(customized)



PNSL107

Installation



Application



Widely use in high pole parking lot area, car park, roadway, pathway square, stadium, amusement, residential area, yard, industrial area and etc.

PNSL 110

LED Street light



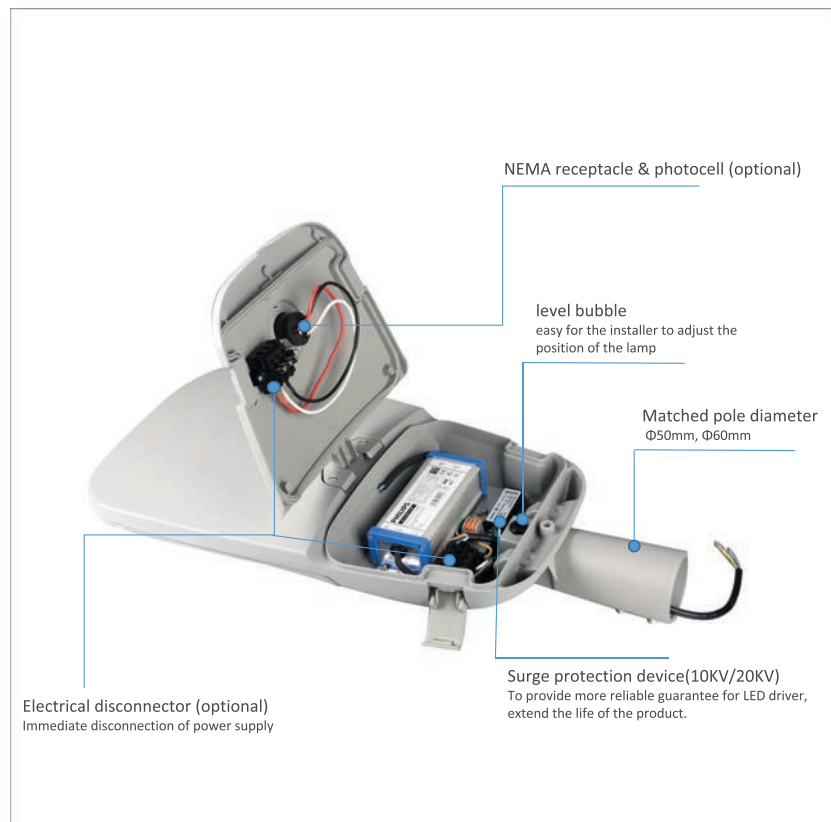
PAN
LIGHTING



Introduction

PNSL110 StreetLight with power 30 up to 350 Watt fixtures and SMD LED. it is the right choice for many applications. Developed and produced in SAUDI, PAN Lighting has the capabilities and the international connections to make such a product suitable and reliable outdoor fixture for all weather conditions.

Structures



PNSL 110

LED Street light



Specifications

Product	PNSL110 30W	PNSL110 60W	PNSL110 90W	PNSL110 120W	PNSL110 150W	PNSL110 200W
Norminal Wattage	30W	60W	90W	120W	150W	200W
Input Voltage	AC 100-305V 50 /60Hz					
Dimming	1 -10V					
LED Brand	Lumileds/Cree 3030/5050					
Driver Brand	Mean Well / Inventronics/Philips					
Operating Temperature	-40 °C to +50 °C					
Power Factor(PF)	>0.95					
THD	<20%					
Lumen Output (+/- 5%)	4200 lm (140LM/W)	8400 lm (140LM/W)	12600 lm (140LM/W)	16800 lm (140LM/W)	21000 lm (140LM/W)	28000 lm (140LM/W)
Luminaire efficacy (+/-5%)	≥ 140 lm /w					
Beam Angle	Type II- IV					
Ra	≥70					
CCT	3000K (Warm White), 4000K (Nature White), 5000K (Pure White), 5700K (Cool White)					
Rating	IP67,IK09					
Material	Die-cast aluminum Tempered Glass					
Installation	90° Arm installation / 180° Arm installation					
Accessories (Optional)	Motion Sensor/Photocell					
Shell Color	Black other RAL colors available on request					
Lumen Maintenance	> 50,000 hours-L ₇₀ at 25 °C					

Dimensions



Model No.	L (mm)	I (mm)	W (mm)	H (mm)	Φ (mm)
PNSL110 30W	450	350	220	105	Φ50/60
PNSL110 60W					
PNSL110 90W	640	540	300	110	
PNSL110 120W					
PNSL110 150W					
PNSL110 200W	800	700	350	120	

PAN 560

LED StreetLight



PAN
LIGHTING



IP66

IK08

CLASS
RoHS

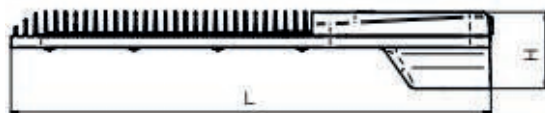
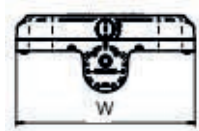
Introduction

PAN 560 LED StreetLight with power 100 up to 150 Watt fixtures and SMD LED. it is the right choice for many applications. Developed and produced in SAUDI, PAN Lighting has the capabilities and the international connections to make such a product suitable and reliable outdoor fixture for all weather conditions.

- LED Driver
- SMD LEDs
- UV Protected PC Diffuser with transmittance rate 97%
- Independent LED modules make maintenance easier
- Working temperature: -30 °C to 50 °C
- IP rating: IP66
- IK rating: IK08
- Life span: 50,000 hours

Features

Dimensions



Model	PAN560-100	PAN560-150
Length	522 mm	853 mm
Width	318 mm	318 mm
Height	138 mm	138 mm

PAN 560

LED StreetLight



PAN
LIGHTING

Tech. Specification

Model	PAN560-100	PAN560-150
Power	100W	150W
LED Type	SMD	SMD
LED Chip Brand	Cree - Philips - Lumileds	
Luminous Flux	12000 lm	18000 lm
Efficacy	120	120
CCT	3000 k - 4000 k - 6500 k	
CRI	>80	>80
Surge Protection	Internal: 10kv (Optional) - External: 20kv	

Elec. Specifications

LED Driver	Constant current with optional progeammable and dimmable
Driver Brand	Inventronics - Meanwell - Philips
Power Factor	≥0.95
Rated Supply Voltage	120-277V
Frequency	50-60 Hz
Working Temp. (Ta)	-30°~+50°C Optional 60°C
Control Option	Standalone dimming program - D2 Type - PE Cell - Remote

PAN 560

LED StreetLight

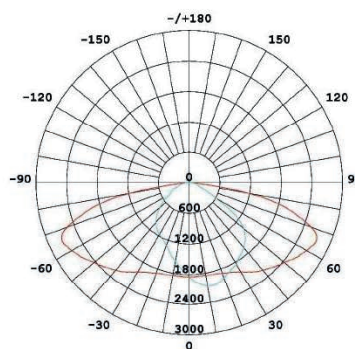


Housing Specifics.

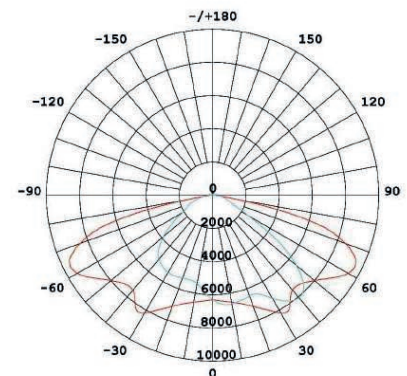
Installation	Vertical and Horizontal
Housing Material	High Pressure Die-Cast Aluminum
Surface Treatment	Polyester Powder Coated 60micro+
Gasket Material	Heat Resistant Silicon Rubber
Glass	Flat Tampered Glass 5 mm
Finishing	Gray Paint RAL7040
Wind Force	UP To 60m/s
Relative Humidity	15%~90% RH

Light Distrubution

Batwing



Iso-Brightness



PAN 710

LED Bulkhead



PAN
LIGHTING



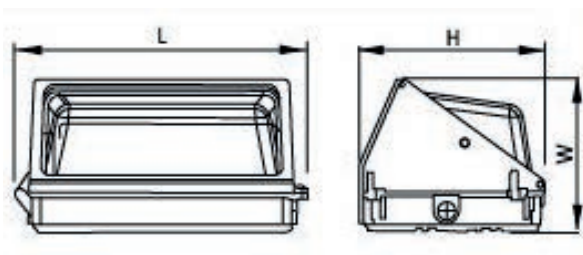
Introduction

PAN 710 LED Bulkhead uses SMD LEDs for outdoor applications. Housing is made of corrosion proof polycarbonate material Luminaire uses Opal PC diffuser providing uniform light.

Features

- SMD LEDs
- Glass Diffuser and Protection
- Installation: Surface / Wall mounted
- IP rating: IP65
- Life span: 50,000
- non Dimmable driver

Dimensions



Model	PAN710-50	PAN710-60	PAN710-100	PAN710-120
Width	188 mm	188 mm	188 mm	238.5 mm
Length	362.5 mm	362.5 mm	362.5 mm	463 mm
Height	230 mm	230 mm	230 mm	229 mm
Weight	4.53 kg	4.53 kg	4.53 kg	7.5 kg

PAN 710

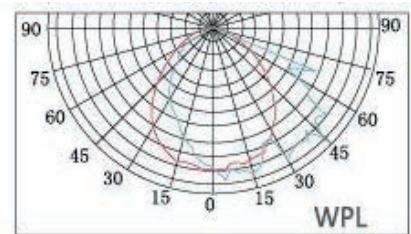
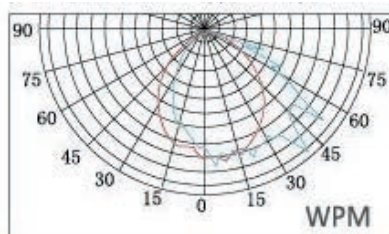
LED Bulkhead



Tech. Specification

Model	PAN710-40	PAN710-60	PAN710-100	PAN710-120
Power	40W	60W	100W	120W
LED Type	SMD			
Luminous Flux	4400 lm	6600 lm	11000 lm	13200 lm
Lumminous Efficacy	110 lm/w			
CCT	4000 k - 3000 k - 5000 k			
CRI (Ra)	>80			
Rated Supply Voltage	220-240 V			
Input Voltage	100-277 VAC			
Frequency	50/60 Hz			

Lighting distributions





PAN
LIGHTING

PNFL 105

LED Floodlight



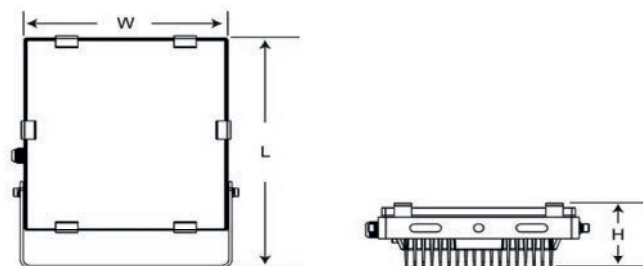
Introduction

PNFL 105 LED Floodlight uses SMD LEDs for outdoor applications. Housing is made of aluminum haetsink with zipped fins technology to optimize sir flow and improve heat dissipation process.

Features

- SMD LEDs
- High transparent toughened glass and optical grade PMMA lens.
- Hazardous free
- Directional type
- Instant full light
- IP rating: IP65
- Life span: 50,000 hours

Dimentions



Model	PNFL105-50	PNFL105-100	PNFL105-150	PNFL105-200
Width	215mm	215mm	320 mm	320 mm
Length	200 mm	200 mm	425mm	425mm
Height	60 mm	60 mm	765 mm	765 mm

PNFL 105

LED Floodlight



Tech. Specification

Model	PNFL105-50	PNFL105-100	PNFL105-150	PNFL105-200
Power	50W	100W	150W	200W
LED Type	SMD			
Luminous Flux	6000 lm	12000 lm	17500 lm	24000 lm
Lumminous Efficacy	120 lm/w			
Peak Intensity	6000 cd	10000 cd	13900 cd	19500 cd
Beam Angle	50°	60°	60°	60°
CCT	4000 k - 5500 k - 6000 k			
CRI (Ra)	>80			
Rated Supply Voltage	90-305 V			
Lumen Maintenance	≥80			
Ambient Temp. (Ta)	-30° C TO 70° C			
Frequency	50/60 Hz			
CLASS	I			
DPF	0.9			



PAN
LIGHTING

PNHB108

LED Highbay



Introduction

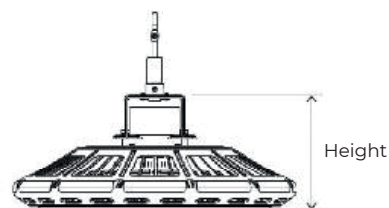
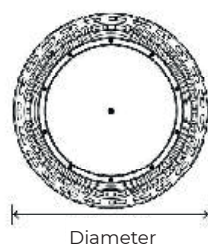
PNHB 108 LED Highbay uses SMD LEDs and LED driver for industrial applications.

Housing is made of die-casted aluminum with radiation fins heat-sink structure

Features

- SMD LEDs
- High transparent toughened glass and optical grade PMMA lens.
- Hazardous free
- Non-dimmable
- Directional type
- Instant full light
- IP rating: IP65
- Life span: 50,000 hours

Dimensions



Model	PNHB108-125	PNHB108-200
Diameter	360 mm	400 mm
Height	143 mm	143 mm

PNHB108

LED Highbay



Tech. Specification

Model	PNHB108-125	PNHB108-200
Power	125W	200W
LED Type	SMD	
Luminous Flux	14000 lm	24000 lm
Lumminous Efficacy	115 lm/W	120 lm/W
Peak Intensity	8500 cd	11800 cd
Beam Angle	90°	90°
CCT	6000 k - 6100 k	
CRI (Ra)	>85	
Rated Supply Voltage	90-305 V	
Lumen Maintenance	≥80	
Ambient Temp. (Ta)	-30° C TO 70° C	
Frequency	50/60 Hz	
CLASS	I	
DPF	0.9	

PAN 1

LED UP AND DOWN



PAN
LIGHTING



Introduction

- PAN 821 LED UP and DOWN uses tube for outdoor applications.
- Housing is made of DIE-casting aluminum material luminaire uses tempered glass diffuser providing uniform light.

Features

- Tube LEDS
- Available in different housing colors
- working temperature : -15 degree c to 50 degree c
- IP rating: IP54
- Life span:30,000-50,000 hours

Tech. Specification

Model	PAN1
Power	2x14.5 W
LED Type	lamp
Luminous Flux	2900 lm
Lumminous Efficacy	100 lm/W
CCT	3000K - 4000 k - 6000 k
CRI (Ra)	>80
Rated Supply Voltage	220-240 V
Input Voltage	80-270 VAC
Frequency	50/60 Hz

PNUG 112

LED Buried lights



Introduction

PNUG 112 LED Buried Light uses High power LED and built-in LED Driver for outdoor applications. Housing is made of die-cast aluminum with stainless steel surface ring.

Features

- High power LEDs
- LED Driver
- Tempered glass diffuser
- High quality PC lens
- Walk over pressure: 100KGS/1000N
- Working temperature: -20 Degree C to 55 Degree C
- Installation: Recessed in ground
- Adjustable light direction
- IP rating: IP66
- Lifespan: 30,000 – 50,000 hours

Tech. Specification

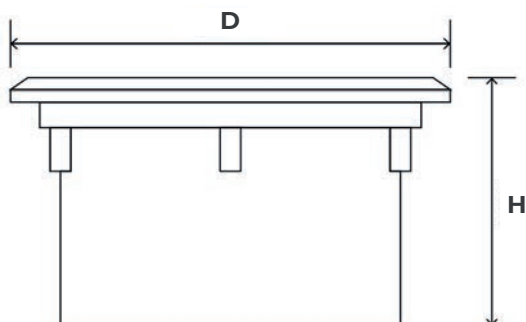
Model	PNUG112-18	PNUG-1
Power	18 W	12 W
LED Type	High powder LEDs	
Luminous Flux	1440 lm	960 lm
Lumminous Efficacy	80	
Number of LEDs	12	
CCT	3000 k - 4000 k - 6500 k	
Baem Angle	25° - 30° - 45°	
CRI (Ra)	>80	
Rated Supply Voltage	220-240 V	
Frequency	50/60 Hz	

PNUG 112

LED Buired lights

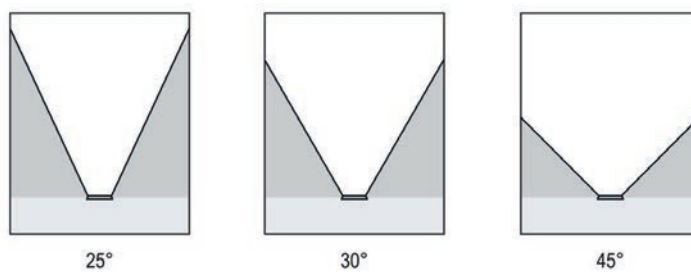


Dimentions



Model	PNUG 112
H	93 mm
D	200 mm

Light Distribution



PNUG 113

LED Buried lights



Introduction

PNUG 113 LED Buried Light uses High power LED and LED Driver for outdoor applications. Housing is made of die-cast aluminum with stainless steel surface ring.

Features

- High power LEDs
- LED Driver
- Tempered glass diffuser
- High quality PC lens
- Walk over pressure: 100KGS/1000N
- Working temperature: -20 Degree C to 55 Degree C
- Installation: Recessed in ground
- Adjustable light direction
- IP rating: IP65 - IP67
- Lifespan: 30,000 – 50,000 hours

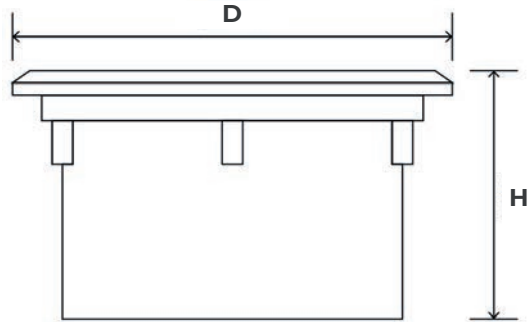
Tech. Specification

Model	PNUG113-18	PNUG11 -24
Power	18 W	24 W
LED Type	High powder LEDs	
Luminous Flux	1440 lm	1920 lm
Lumminous Efficacy	80	
Number of LEDs	12	
CCT	3000 k - 4000 k - 6500 k - RGB	
Baem Angle	20° - 25° - 30° - 45°	
CRI (Ra)	>80	
Rated Supply Voltage	220-240 V	
Frequency	50/60 Hz	

PNUG 113

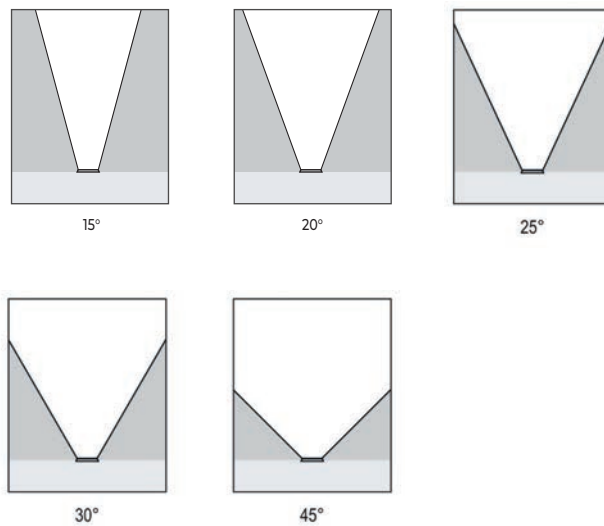
LED Buired lights

Dimentions



Model	PNUG 113	PNUG 113
H	200 mm	250 mm
D	170 mm	194 mm

Light Distribution





PAN
LIGHTING



PAN 610

LED Bollard Light

Introduction

PAN 610 LED Bollard Light uses Tube LED for outdoor applications. Housing is made of die-cast aluminum with black color coating luminaire uses PC diffuser.

Features

- Tube LED
- Impact resistant PC diffuser
- High quality PC lens
- Installation: Surface mounted
- IP rating: IP65

Dimensions



Tech. Specification

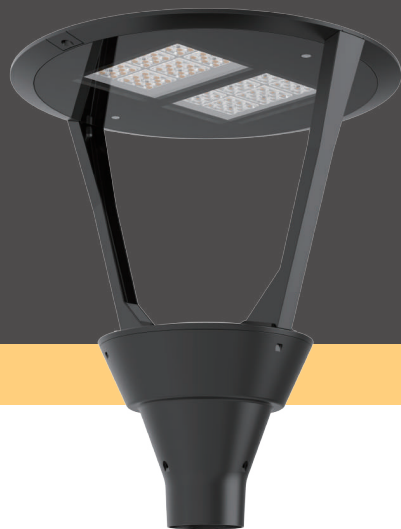
Model	PAN610-12	PAN610-15	PAN610-18	PAN610-20
Power	12W	15W	18W	20W
LED Type	LED Lamp			
Voltage	220-240 V			
Frequency	50/60 Hz			

PNGL 104

LED Garden light



PAN
LIGHTING



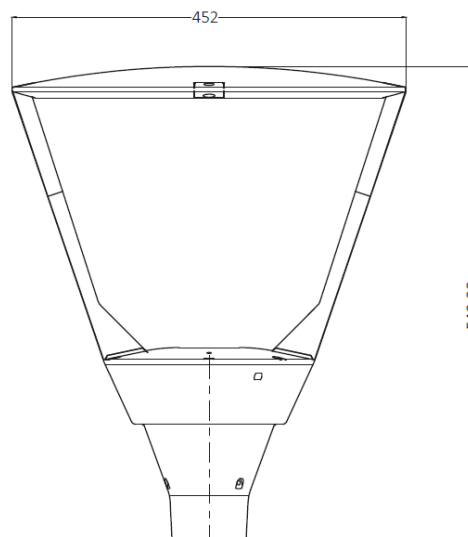
Introduction

PNGL 104 developed and produced in PAN Lighting Factory in Kingdom of Saudi Arabia which has the capabilities and the international connections to make such a product suitable and reliable outdoor and Garden fixture for all weather conditions.

Features

- Color: Black
- Lens: Polycarbonate
- IP65
- IK08
- Material: Housing: ADC12 die-cast aluminum
Cover: Polycarbonate
Screws: Stainless
- SMD 3030
- Inventronics LED Driver

Dimensions



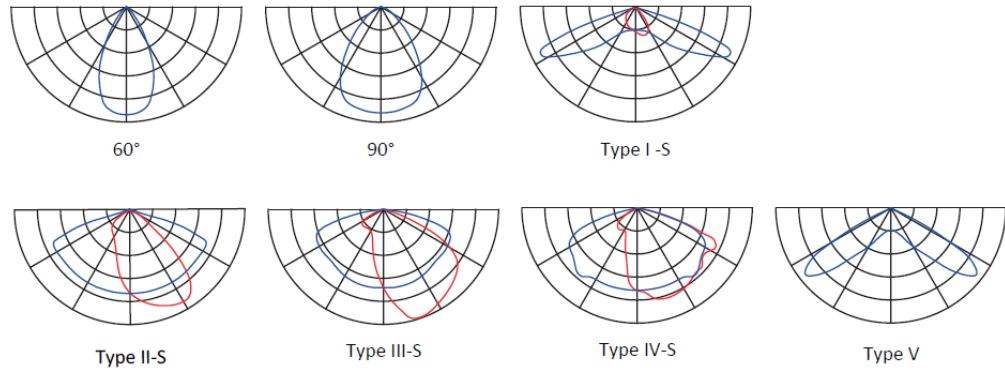
PNGL 104

LED Garden light



Model	PNGL 104
Diameter	452 mm
Height	542 mm

LIGHT DISTRIBUTION CURVE



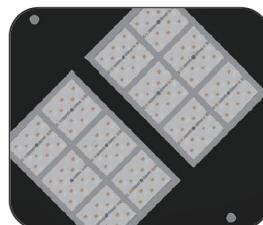
CHARACTERISTICS



Base waterproof ring



The top is smooth and not easy to accumulate dust



LED Chips

PNGL 104

LED Garden light



Tech. Specification

Model	PNGL104-100W
Power	100W
LED Type	SMD
Lumious Flux	13000 lm
Efficacy	130 lm/W
CCT	2200 K~6500 K
CRI (Ra)	Ra>70
Input Voltage	100-277VAC
Frequency	50/60 Hz
LED Spec	SMD 3030
Dimming	DALI,1-10V,Photocell,DMX512
Insulation Grade	Class I
Total Harmonic Distortion	<20%
Power Factor	>0.96
Driver	Inventronics

PNGL 106

LED Garden light



PAN
LIGHTING



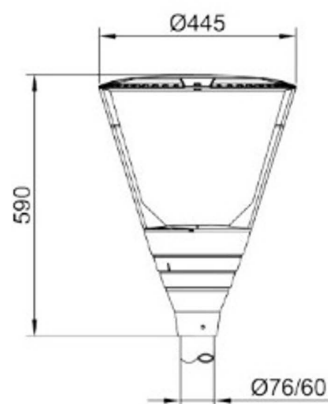
Introduction

PNGL 106 developed and produced in PAN Lighting Factory in Kingdom of Saudi Arabia which has the capabilities and the international connections to make such a product suitable and reliable outdoor and Garden fixture for all weather conditions.

Features

- Color: Black
- Lens: Polycarbonate
- IP66
- IK08
- Material: Housing: die-cast aluminum
Cover: Polycarbonate
Screws: Stainless
Tempered glass mask
- SMD 3030
- Inventronics LED Driver

Dimensions



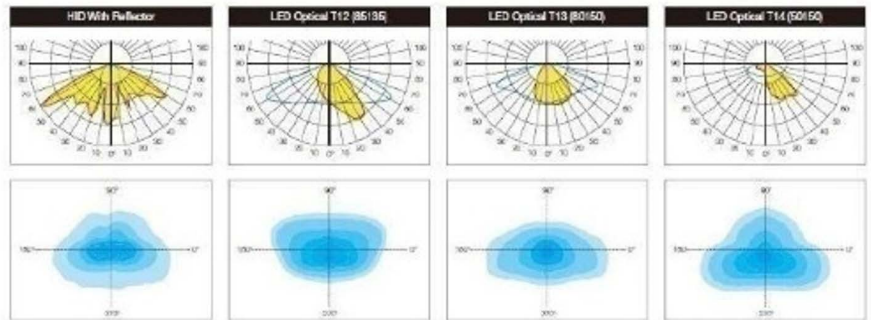
PNGL 106

LED Garden light

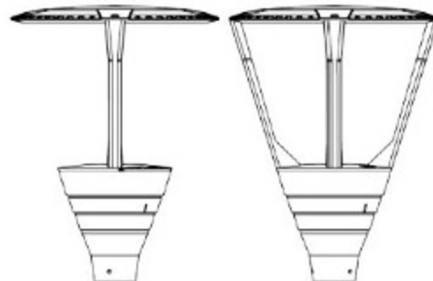


Model	PNGL 106
Diameter	445 mm
Height	590 mm

LIGHT DISTRIBUTION CURVE



CHARACTERISTICS



PNGL 106

LED Garden light



Tech. Specification

Model	PNGL106-30~100W				
Power	30W	40W	60W	80W	100W
LED Type	SMD				
Lumious Flux	3900 lm	5200 lm	7800 lm	10400 lm	13000 lm
Efficacy	130lm/W				
CCT	3000 K~6500 K				
CRI (Ra)	Ra>70				
Input Voltage	100-277VAC				
Frequency	50/60 Hz				
LED Spec	SMD 3030				
Dimming	DALI,1-10V,Photocell				
Insulation Grade	Class I				
Total Harmonic Distortion	<20%				
Power Factor	>0.96				
Driver	Inventronics				

PNGL 107

LED Garden light



PAN
LIGHTING



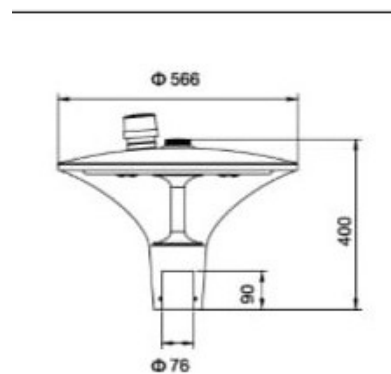
Introduction

PNGL 107 developed and produced in PAN Lighting Factory in Kingdom of Saudi Arabia which has the capabilities and the international connections to make such a product suitable and reliable outdoor and Garden fixture for all weather conditions.

Features

- Color: Black
- Lens: Polycarbonate
- IP66
- IK08 -Material: Housing: die-cast aluminum and PC
Cover: Polycarbonate
Screws: Stainless
- SMD CREE-XTE
- Inventronics LED Driver

Dimensions



PNGL 107

LED Garden light



Tech. Specification

Model	PNGL 107
Diameter	566 mm
Height	400 mm

Model	PNGL107-60W
Power	60W
LED Type	SMD
Lumious Flux	7620 lm
Efficacy	127 lm/W
CCT	3000 K/4000 K/5000 K
CRI (Ra)	Ra>80
Input Voltage	100-277VAC
Frequency	50/60 Hz
LED Spec	SMD CREE-XTE
Dimming	DALI,1-10V,Photocell,DMX512
Insulation Grade	Class II
Operating Temperature	-40 - 60 °C
Power Factor	>0.96
Driver	Inventronics



PAN
LIGHTING

PNGL105

LED Bollard Light



Introduction

PNGL105 LED Bollard Light uses LED SMD for outdoor applications. Housing is made of Aluminum die casting cover and base, aluminum profile light body, with half shading .

Features

- SMD LED
- Clear PC
- High quality PC lens
- Installation: Surface mounted
- IP rating: IP66

Dimensions

Model	PNGL 105
Diameter	160 mm
Height	900 mm
Thickness	5 mm

Tech. Specification

Model	PNGL105-15
Power	15 W
LED Type	LED SMD
Voltage	220-240 V
Frequency	50/60 Hz



PAN
LIGHTING

PNGL111

LED Bollard Light



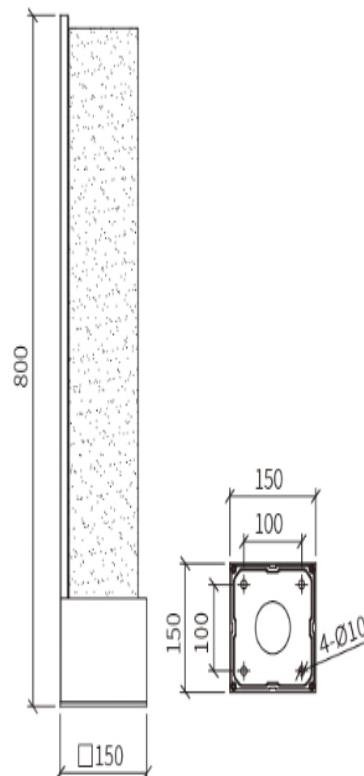
Introduction

PNGL111 LED Bollard Light uses LED SMD for outdoor applications. Housing is made of Aluminum with treatment of corrosion protection and UV-proof powder coating.

Features

- SMD LED
- Diffuser: PMMA
- Gasketing: Made of termostable silica gel to improtection cass.
- Fastener: 304 stainless steel.
- IP rating: IP65

Dimensions





PAN
LIGHTING

PNGL112

LED Bollard Light



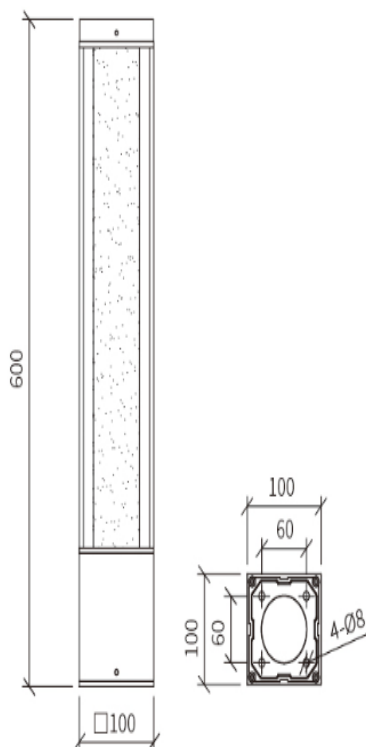
Introduction

PNGL112 LED Bollard Light uses LED COB for outdoor applications. Housing is made of Aluminum with treatment of corrosion protection and UV-proof powder coating.

Features

- COB LED
- Diffuser: PMMA
- Gasketing: Made of termostable silica gel to improtection cass.
- Fastener: 304 stainless steel.
- IP rating: IP65

Dimentions



PNGL 112

LED Garden light



Tech. Specification

Model	PNGL112-5	PNGL112-10
Power	5 W	10 W
LED Type	LED COB	
Lumen	450 lm	900 lm
Efficacy	90 lm/W	
Voltage	90-260 V	
Frequency	50/60 Hz	
Working Temperature	-20-50 °C	
CRI	>85	
CCT	3000 K /4000K / 6500 K	
Beam Angle	15°	
Power Factor	>0.9	

Images



PNGL 111

LED Garden light



Tech. Specification

Model	PNGL111-12	PNGL111-18	PNGL111-24
Power	12 W	18 W	24 W
LED Type	LED SMD		
Lumen	840 lm	1260 lm	1680 lm
Efficacy	70 lm/W		
Voltage	90-260 V		
Frequency	50/60 Hz		
Working Temperature	-20-50 °C		
CRI	>80		
CCT	3000 K / 4000K / 6500 K		
Beam Angle	180°		
Power Factor	>0.6		

Images



PNGL 112

LED Garden light



PAN
LIGHTING



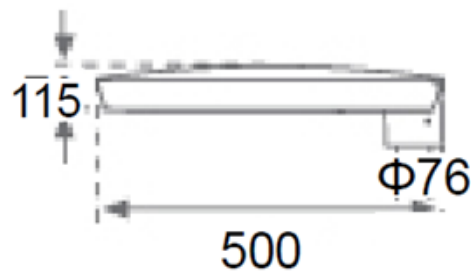
Introduction

PNGL 112 developed and produced in PAN Lighting Factory in Kingdom of Saudi Arabia which has the capabilities and the international connections to make such a product suitable and reliable outdoor and Garden fixture for all weather conditions.

Features

- Color: Black
- Lens: Polycarbonate
- IP66
- IK08
- Material: Housing: die-cast aluminum and PC
Cover: Polycarbonate
Screws: Stainless
- SMD Lumileds 3030 LED
- MeanWell LED Driver

Dimensions



PNGL 112

LED Garden light



Tech. Specification

Model	PNGL 112
Diameter	500 mm
Height	115 mm

Model	PNGL112-60W	PNGL112-30W
Power	60W	30W
LED Type	SMD	
Lumious Flux	7200 lm	3600 lm
Efficacy	120 lm/W	
CCT	3000 K/4000 K/6500 K	
CRI (Ra)	Ra>80	
Input Voltage	100-240VAC	
Frequency	50/60 Hz	
IP	IP66	
IK	IK08	
Beam angle	120	
Operating Temperature	-40 - 60 °C	
Power Factor	>0.96	
Driver	meanwell	



PAN
LIGHTING

PNGLI17

LED Bollard Light



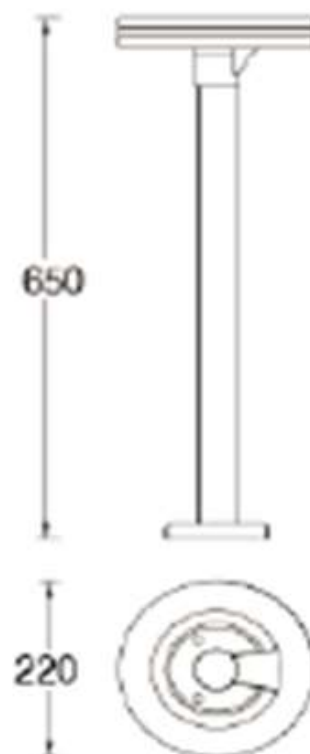
Introduction

PNGLI17 LED Bollard Light uses LED SMD for outdoor applications. Housing is made of Die-casting Aluminum and extruded Aluminum Body with Frost PC lens.

Features

- SMD LED
- Diffuser: PMMA
- Gasketing: Made of termostable silica gel to improtection cass.
- Fastener: 304 stainless steel.
- IP rating: IP65

Dimentions



PNGL 117

LED Garden light



Tech. Specification

Model	PNGL117-10
Power	10 W
LED Type	LED SMD
Lumen	700 lm
Efficacy	70 lm/W
Voltage	110-240 V
Frequency	50/60 Hz
Working Temperature	-20-50 °C
CRI	>80
CCT	3000 K / 4000K / 6500 K
Beam Angle	120°
Power Factor	>0.6

Images

PNGL118

LED Bollard Light



PAN
LIGHTING



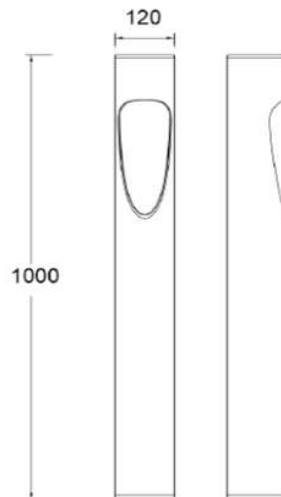
Introduction

PNGL118 LED Bollard Light uses LED COB for outdoor applications. Housing is made of Aluminum die casting cover and base, aluminum profile light body.

Features

- CREE 1512 COB LED
- extruded Aluminium body
- Clear GLASS
- High quality PC lens
- Dia: 120mm/height:1000mm
- IP rating: IP65

Dimensions



Tech. Specification

Model	PNGL118-15
Power	15 W
LED Type	LED COB
Voltage	110-240 V
Frequency	50/60 Hz

PNGL121

LED Bollard Light



PAN
LIGHTING



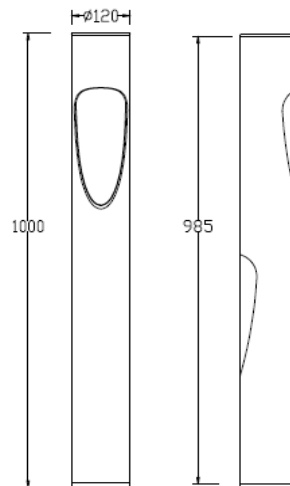
Introduction

PNGL121 LED Bollard Light uses LED COB for outdoor applications. Housing is made of Aluminum die casting cover and base, aluminum profile light body.

Features

- CREE 1512 COB LED
- extruded Aluminium body
- Clear GLASS
- High quality PC lens
- Dia: 120mm/height:1000mm
- IP rating: IP65

Dimensions



Tech. Specification

Model	PNGL121-2x10
Power	2x10 W
LED Type	LED COB
Voltage	220-240 V
Frequency	50/60 Hz

PNGL 138

LED Garden light



PAN
LIGHTING



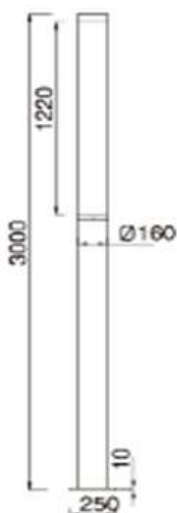
Introduction

PNGL 138 developed and produced in PAN Lighting Factory in Kingdom of Saudi Arabia which has the capabilities and the international connections to make such a product suitable and reliable outdoor and Garden fixture for all weather conditions.

Features

- Lens: Polycarbonate
- IP65
- Material: Housing: die-cast aluminum
- Extruded Aluminum pole, 2mm thickness, Opal PC lens
- SMD 3030
- Inventronics LED Driver
- Lifetime: 50000 Hrs

Dimensions



Model	PNGL 138
Diameter	160 mm
Height	3000 mm

PNGL 138

LED Garden light



Tech. Specification

Model	PNGL138	
Power	30W	60W
LED Type	SMD	
Lumious Flux	3000 lm	6000 lm
Efficacy	100lm/W	
CCT	3000 K~6500 K	
CRI (Ra)	Ra>80	
Input Voltage	100-277VAC	
Frequency	50/60 Hz	
LED Spec	SMD 3030	
Dimming	DALI,1-10V,Photocell	
Insulation Grade	Class I	
Total Harmonic Distortion	<10%	
Power Factor	>0.95	

Images

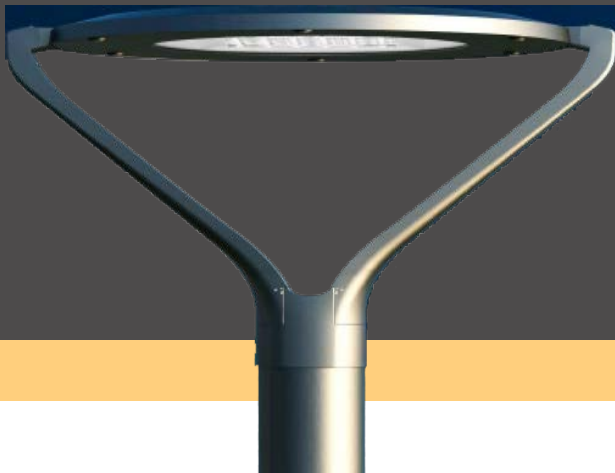


PNGL 139

LED Garden light



PAN
LIGHTING



Introduction

PNGL 139 developed and produced in PAN Lighting Factory in Kingdom of Saudi Arabia which has the capabilities and the international connections to make such a product suitable and reliable outdoor and Garden fixture for all weather conditions.



Private sites



Building surrounds



Parks, promenades & pathways



Urban & residential streets



Car park

Features

- Lens: Polycarbonate
- IP66
- IK09

- Material: Housing: die-cast aluminum
Cover: Polycarbonate
Sealing: Silicone rubber
Screws: Stainless

- SMD 3030
- Inventronics LED Driver
- Lifetime: 50000 Hrs

Model	PNGL 139
Diameter	545 mm
Height	715 mm

PNGL 139

LED Garden light



Tech. Specification

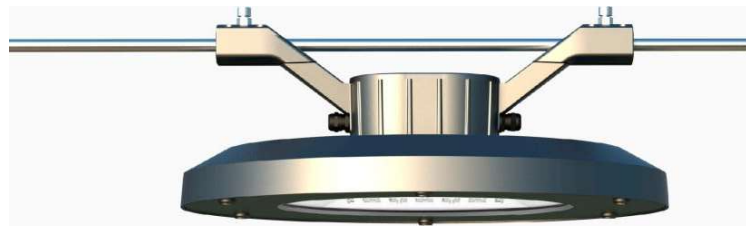
Model	PNGL139-30~150			
Power	30W	60W	100W	150W
LED Type	SMD			
Lumious Flux	3900 lm	7800 lm	13000 lm	19500 lm
Efficacy	130lm/W			
CCT	3000 K~6500 K			
CRI (Ra)	Ra>70			
Input Voltage	100-277VAC			
Frequency	50/60 Hz			
LED Spec	SMD 3030			
Dimming	DALI,1-10V,Photocell			
Insulation Grade	Class I			
Total Harmonic Distortion	<10%			
Power Factor	>0.95			
Driver	Inventronics			
Temperature range	-45C to 45C			
Humidity of Working Condition	10—90%			
Net weight	7.6 kg	7.65 kg	7.9 kg	8.2 kg

PNGL 139

LED Garden light

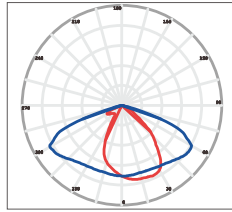


Images

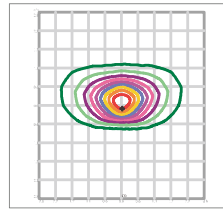


Photometric Data

70x140° (TYPE II-S)

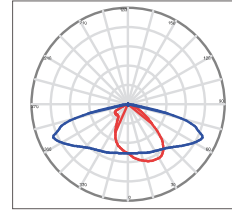


— 0.0~180.0
— 90.0~270.0

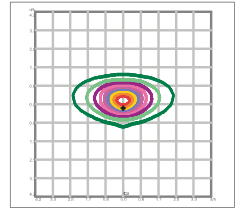


Mount Height(m): 6

70x150° (TYPE II-M)

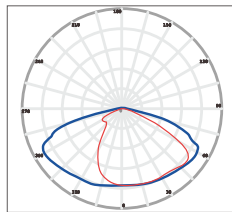


— 0.0~180.0
— 90.0~270.0

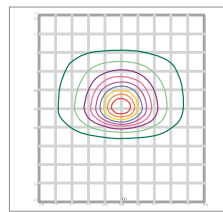


Mount Height(m): 8

95x150° (TYPE II-S)

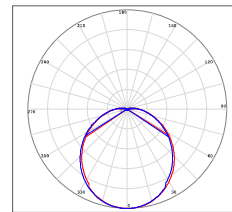


— 0.0~180.0
— 90.0~270.0

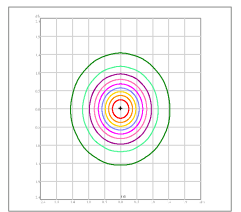


Mount Height(m): 6

120° (TYPE V)



— 0.0~180.0
— 90.0~270.0



Mount Height(m): 6

PNGL 141

LED Garden light



PAN
LIGHTING



Introduction

PNGL 141 developed and produced in PAN Lighting Factory in Kingdom of Saudi Arabia which has the capabilities and the international connections to make such a product suitable and reliable outdoor and Garden fixture for all weather conditions.



Private sites



Building surrounds



Parks, promenades & pathways



Urban & residential streets



Car park

Features

- Lens: opal PC lens
- IP65
- IK09

- Material: Housing: die-cast aluminum
Cover: Polycarbonate
Sealing: Silicone rubber
Screws: Stainless

- SMD 3030
- Inventronics LED Driver
- Lifetime: 50000 Hrs

Model	PNGL 141
Diameter	520 mm
Height	317 mm

PNGL 141

LED Garden light



Tech. Specification

Model	PNGL141-45W
Power	45W
LED Type	SMD
Lumious Flux	5400 lm
Efficacy	120lm/W
CCT	3000 K~6500 K
CRI (Ra)	Ra>70
Input Voltage	100-277VAC
Frequency	50/60 Hz
LED Spec	SMD 3030
Dimming	DALI,1-10V,Photocell
Insulation Grade	Class I
Total Harmonic Distortion	<10%
Power Factor	>0.95
Driver	Inventronics
Temperature range	-45C to 45C
Humidity of Working Condition	10—90%

PNGL 148

LED Garden light



PAN
LIGHTING



Introduction

PNGL 148 developed and produced in PAN Lighting Factory in Kingdom of Saudi Arabia which has the capabilities and the international connections to make such a product suitable and reliable outdoor and Garden fixture for all weather conditions.

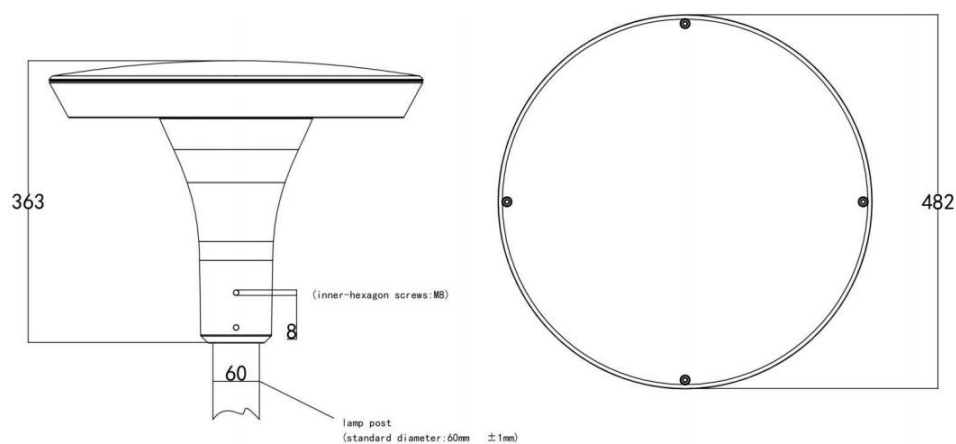
Features

- Lens: Polycarbonate
- IP65
- IK08

- Material: Housing: die-cast aluminum
Cover: Polycarbonate
Sealing: Silicone rubber
Screws: Stainless

- SMD 3030
- Meanwell LED Driver
- Lifetime: 50000 Hrs

Dimensions



Model	PNGL 148
Diameter	482 mm
Height	363 mm

PNGL 148

LED Garden light



Tech. Specification

Model	PNGL 148-40~100			
Power	40W	60W	80W	100W
LED Type	SMD			
Lumious Flux	4400 lm	6600 lm	8800 lm	11000 lm
Efficacy	110lm/W			
CCT	3000 K~6500 K			
CRI (Ra)	Ra>80			
Input Voltage	100-277VAC			
Frequency	50/60 Hz			
LED Spec	SMD 3030			
Dimming	DALI,1-10V,Photocell			
Insulation Grade	Class I			
Total Harmonic Distortion	<10%			
Power Factor	>0.95			
Driver	Meanwell			
Temperature range	-25C to 55C			
Humidity of Working Condition	10—90%			

PNGL 148

LED Garden light



Images



PNGL 150

LED Garden light



PAN
LIGHTING



Introduction

PNGL 150 developed and produced in PAN Lighting Factory in Kingdom of Saudi Arabia which has the capabilities and the international connections to make such a product suitable and reliable outdoor and Garden fixture for all weather conditions.

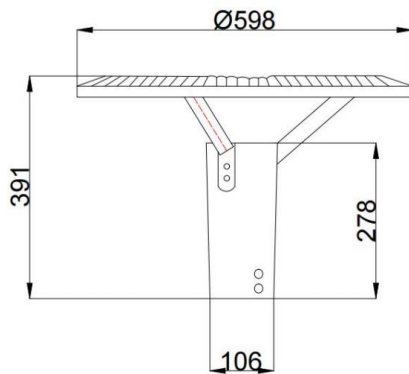
Features

- Lens: Polycarbonate
- IP66
- IK08

- Material: Housing: die-cast aluminum
Cover: Polycarbonate
Sealing: Silicone rubber
Screws: Stainless

- SMD 3030
- Inventronics LED Driver
- Lifetime: 50000 Hrs

Dimensions



Model	PNGL 150
Diameter	598 mm
Height	391 mm

PNGL 150

LED Garden light



Tech. Specification

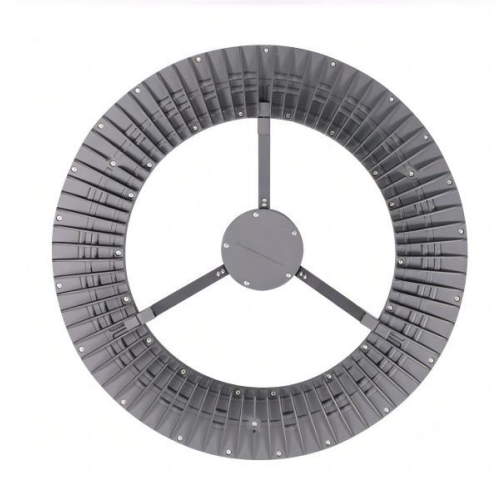
Model	PNGL150-40~100			
Power	40W	60W	80W	100W
LED Type	SMD			
Lumious Flux	4400 lm	6600 lm	8800 lm	11000 lm
Efficacy	110lm/W			
CCT	3000 K~6500 K			
CRI (Ra)	Ra>80			
Input Voltage	100-277VAC			
Frequency	50/60 Hz			
LED Spec	SMD 3030			
Dimming	DALI,1-10V,Photocell			
Insulation Grade	Class I			
Total Harmonic Distortion	<10%			
Power Factor	>0.95			
Driver	Inventronics			
Temperature range	-25C to 55C			
Humidity of Working Condition	10—90%			
Net weight	7kg			

PNGL 150

LED Garden light



Images

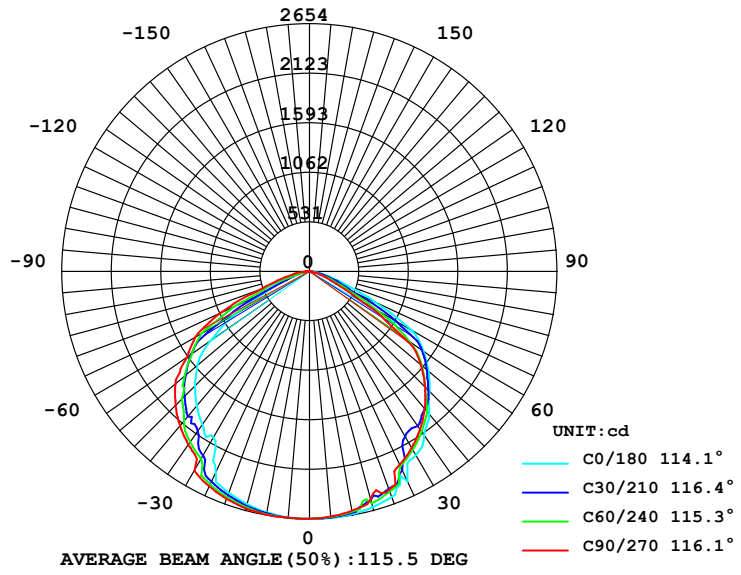


PNGL 150

LED Garden light



Photometric Data



PNGL 115

LED Garden light



PAN
LIGHTING



Introduction

PNGL 115 developed and produced in PAN Lighting Factory in Kingdom of Saudi Arabia which has the capabilities and the international connections to make such a product suitable and reliable outdoor and Garden fixture for all weather conditions.

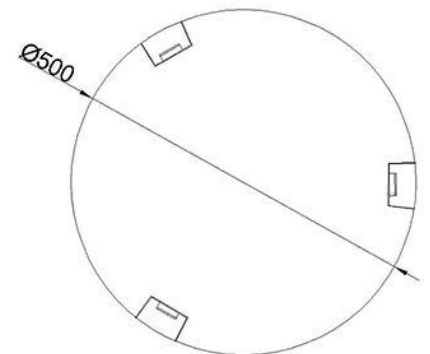
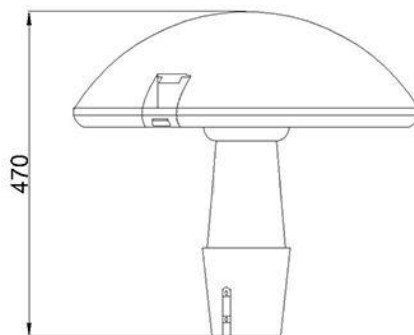
Features

- Lens: Polycarbonate
- IP66
- IK08

- Material: Housing: die-cast aluminum
Cover: Polycarbonate
Sealing: Silicone rubber
Screws: Stainless

- SMD 3030
- Inventronics LED Driver
- Lifetime: 50000 Hrs

Dimensions



Model	PNGL 115
Diameter	500 mm
Height	470 mm

PNGL 115

LED Garden light



Tech. Specification

Model	PNGL115-40~120W				
Power	40W	60W	80W	100W	120W
LED Type	SMD				
Lumious Flux	4400 lm	6600 lm	8800 lm	11000 lm	13200 lm
Efficacy	110lm/W				
CCT	3000 K~6500 K				
CRI (Ra)	Ra>80				
Input Voltage	100-277VAC				
Frequency	50/60 Hz				
LED Spec	SMD 3030				
Dimming	DALI,1-10V,Photocell				
Insulation Grade	Class I				
Total Harmonic Distortion	<20%				
Power Factor	>0.96				
Driver	Inventronics				
Temperature range	-30°C/+50°C				
Humidity of Working Condition	10—90%				
Net weight	9kg				

PNGL 115

LED Garden light



Images





PAN
LIGHTING

PNGL110

LED GARDEN Light



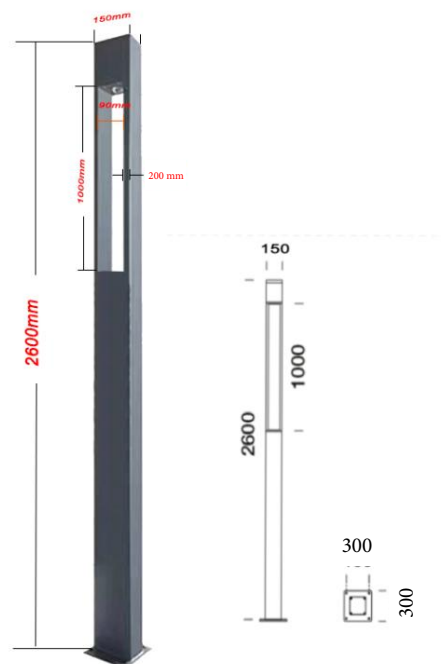
Introduction

PNGL110 LED Garden Light uses LED SMD for Garden lighting, street lighting, outdoor lighting applications. Housing is made of Aluminum die casting. Polyester thermosetting powder coating

Features

- SMD LED 3030
- High Temperature Resistant PMMA Lens
- Black/Grey color
- Installation: Surface mounted
- IP rating: IP65
- LifeTime: 50000 hrs

Dimensions



PNGL 110

LED Garden light



Tech. Specification

Model	PNGL110-32
Power	32 W
LED Type	Lumileds SMD 3030
Lumen	3840 lm
Efficacy	120lm/W
Voltage	200-240 V
Frequency	50/60 Hz
Working Temperature	-20-50 °C
CRI	>80
CCT	3000 K / 4000K / 6500 K
Beam Angle	60° - 90° - 120°
Aluminum Thickness	2.7 mm



LED Chips. Specification

Power Factor	>0.9
DC Forward Current	240mA
Peak Pulsed Forward Current	300mA
ESD Sensitivity	Class 2
LED Junction Temperature (DC & Pulse)	125°C
Operating Case Temperature	-40°C to 105°C
LED Storage Temperature	-40°C to 105°C
Soldering Temperature	JEDEC 020D 260°C
Allowable Reflow Cycles	3
Reverse Voltage (Vreverse)	-5V

PNGL 110

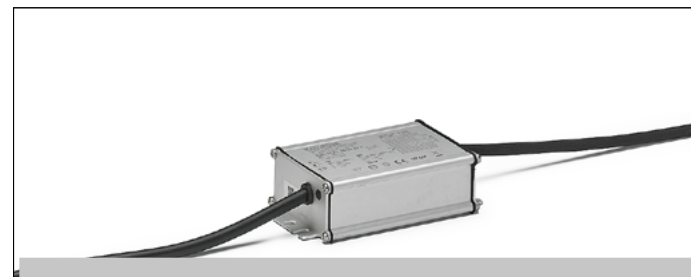
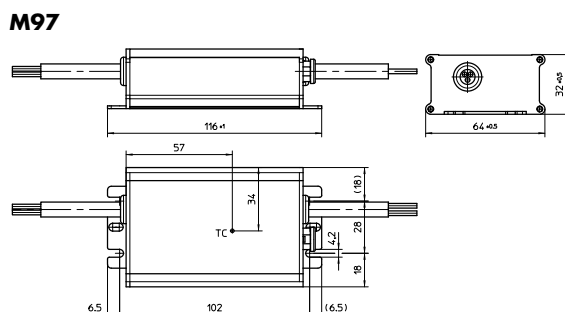
LED Garden light



Driver. Specification

Driver Brand	Vossloh-Schwabe
Gautantee	50,000 hours
Input Voltage	100-240 VAC
Frequency	50/60 Hz
Current output DC	350-1050 mA
IP	IP67
Protection class	class I
Surge Protection	10 KV
Ambient Temperature	-40 - 55 °C
Power Factor	>0.95
Operation humidity	10% - 95%
Storage temperature	-40 - 85 °C
Storage humidity	5% - 95%
Input current	580-190 mA
Voltage output	20-57 VDC

Driver. Dimensions



PR40/ RAL 7042 CT

POWDER PROPERTIES

Chemical type	Polyester
Density	1.40 – 1.50 g/cm ³
Particle size distribution	Applicable for electrostatic spray at 60 – 90 kV
Physical Appearance	Traffic Grey
Gloss	60-70 G.U @ 60° (Indicative)
Shelf Life	24 months at 27°C maximum storage
Curing schedule	10 minutes at 200°C (metal temperature)

MECHANICAL PROPERTIES

Adhesion ISO 2409 (2mm crosshatch)	Gt=0
Bend test ISO 1519 (cylindrical mandrel)	Pass 5mm
Cupping test ISO 1520	Pass >5mm
Impact test ISO 6272-1	Pass 2.5 Nm (Reverse)
Buchholz test ISO 2815	>80

ENVIRONMENTAL AND CHEMICAL RESISTANCE

Resistance to SO2 EN ISO 3231	No infiltration exceeding 1mm on both sides of the scratch after 30 cycles (0.21 l SO ₂).
Acetic acid salt spray ISO9227	Maximum 16mm ² infiltration over a scratch length of 10cm. after 1000 hours testing.
Constant humidity ISO	No blistering, creep <1mm after 1000 hrs.
Mortar resistance EN 12206-1	No effect after 24 hrs.
Accelerated Weathering ISO 16474-2	>50% gloss retention after 1000 hrs
Chemical Resistance	Generally good resistance to acids, alkalis, and oils at room temperature.
Exterior durability ISO 2810	No chalking, excellent gloss retention and colour stability after 1 year Florida Exposure.

PNGL 110

LED Garden light



Images





PAN
LIGHTING

PNGL109

LED Bollard Light



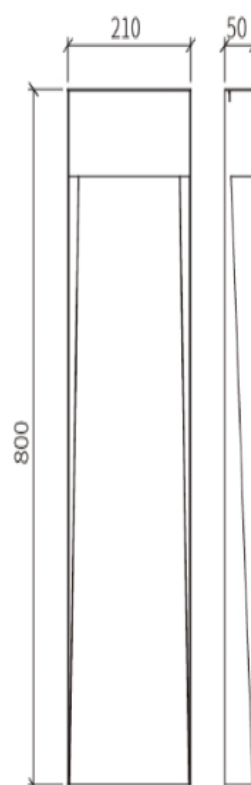
Introduction

PNGL109 LED Bollard Light uses LED SMD for outdoor applications. Housing is made of stainless steel with treatment of corrosion protection and UV-proof powder coating..

Features

- SMD LED
- Diffuser: GLASS
- Gasketing: Made of termostable silica gel to improtection cass.
- Fastener: 304 stainless steel.
- IP rating: IP65

Dimintions



PNGL 109

LED Garden light



Tech. Specification

Model	PNGLI109-7	PNGLI109-10
Power	7 W	10 W
LED Type	LED SMD	
Lumen	490 lm	700 lm
Efficacy	70 lm/W	
Voltage	90-260 V	
Frequency	50/60 Hz	
Working Temperature	-20-50 °C	
CRI	>70	
CCT	3000 K /4000K / 6500 K	
Beam Angle	120°	
Power Factor	>0.5	

Images



PNGLI08

LED Bollard Light



PAN
LIGHTING



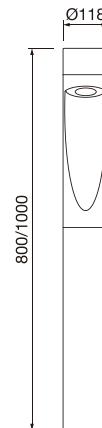
Introduction

PNGLI08 LED Bollard Light uses LED SMD for outdoor applications. Housing is made of Aluminum die casting cover and base, aluminum profile light body.

Features

- SMD LED
- Clear PC
- High quality PC lens
- Installation: Surface mounted
- IP rating: IP65

Dimensions



Tech. Specification

Model	PNGLI08-15
Power	15 W
LED Type	LED SMD
Voltage	220-240 V
Frequency	50/60 Hz

PAN 0

LED Roll Over Light



PAN
LIGHTING



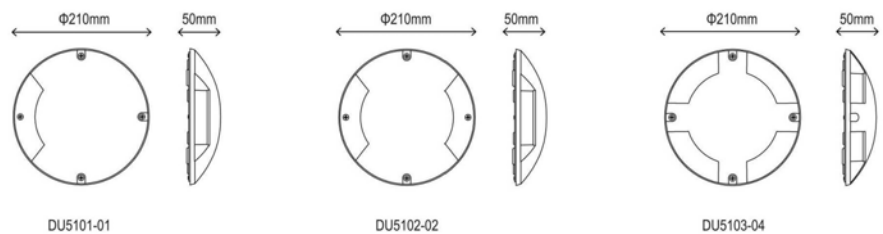
Introduction

PAN 620 LED Roll over Light used SMD LEDs for outdoor applications. Housing is made of die-cast aluminum with power color coating. Luminaire uses UV stabilized

Features

- SMD LEDs
- Built-in LED Driver.
- Robust housing with drive over feature
- Available 3 different shaps (one side, two sides , and four sides light.
- Installation: Surface mounted
- Working temperature:-20 Degree C to 50 Degree C
- IP rating: IP67
- IK rating: IK10
- Life span: 30,000-50,000 hours.

Dimintions



Model	PN001	PN00	PN00
Power	1 W	2x1 W	4x1 W
Driver	Built-in LED Driver		
Light source	SMD		
Luminous Flux	30 lm	70 lm	140 lm
Lumminous Efficacy	30	35	35
CCT	3000 k - 4000 k - 6000 k		
Beam angle	90		
CRI (Ra)	>80		
Rated Supply Voltage	220-240 V		
Frequency	50/60 Hz		

PNSK 105

LED SPIKE LIGHT



PAN
LIGHTING



PNSK 105 flood light uses SMD LEDs for outdoor applications Housing is made of die-cast aluminum

- No UV or IR light radiation
- Easy installation
- working temperture:-20 degree c to 50 degree c
- Lifespan: 50,000 hours
- IP rating : IP65

Dimensions

Model	PNSK105-20
H	252 mm
D	102 mm

Tech. Specification

Model	PNSK105-20
Power	20W
LED Type	COB
Luminous Flux	1741 lm
Lumminous Efficacy	87 lm/w
CCT	4000
CRI (Ra)	>85
Rated Supply Voltage	220 V
Frequency	50/60 Hz

PNSK 105

LED SPIKE LIGHT



LED Module

Housing	Die-casting Alluminum
Color	Customizable
Diffuser	Tempered glass
Installation	Ground mounted
IP Rating	IP65

Elec. Sprcification

Gaurantee	50,000 hours
Rated Supply Voltage	220-240 V
Frequency	50/60 Hz

Image



PNSK 109

LED SPIKE LIGHT



PAN
LIGHTING



PNSK 109 flood light uses SMD LEDs for outdoor applications Housing is made of die-cast aluminum

- No UV or IR light radiation
- Easy installation
- Very low Power Consumption Less than 0.5 Watts
- working temperture:-20 degree c to 50 degree c
- Lifespan: 50,000 hours
- IP rating : IP65

Dimensions

Model	PNSK 109-18
H	190 mm
D	155 mm



Tech. Specification

Model	PNSK 109-18
Power	18W
LED Type	SMD
Luminous Flux	1500 lm
Lumminous Efficacy	85 lm/w
CCT	4000
CRI (Ra)	>85
Rated Supply Voltage	220 V
Frequency	50/60 Hz

PNSK 109

LED SPIKE LIGHT



LED Module

Housing	Die-casting Alluminum
Color	Customizable
Diffuser	clear glass
Installation	Ground mounted
IP Rating	IP65

Elec. Sprcification

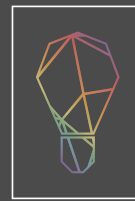
Gaurantee	50,000 hours
Rated Supply Voltage	220-240 V
Frequency	50/60 Hz

Image



PNSK 111

LED SPIKE LIGHT



PAN
LIGHTING

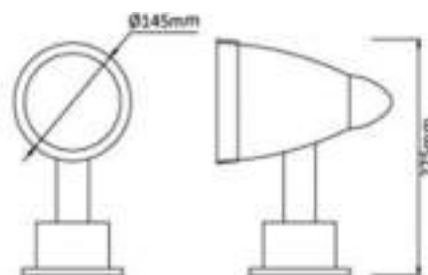


PNSK 111 flood light uses COB LEDs for outdoor applications Housing is made of die-cast aluminum

- No UV or IR light radiation
- Easy installation
- Very low Power Consumption Less than 0.5 Watts
- working temperture:-20 degree c to 50 degree c
- Lifespan: 50,000 hours
- IP rating : IP65

Dimensions

Model	PNSK 111-10
H	275 mm
D	145 mm



Tech. Specification

Model	PNSK 111-10
Power	10W
LED Type	COB
Luminous Flux	900 lm
Lumminous Efficacy	90 lm/w
CCT	3000 - 4000 - 6500
CRI (Ra)	>85
Rated Supply Voltage	220 V
Frequency	50/60 Hz

PNSK 111

LED SPIKE LIGHT



LED Module

Housing	Die-casting Alluminum
Color	Customizable
Diffuser	clear glass
Installation	Ground mounted
IP Rating	IP65

Elec. Sprcification

Gaurantee	50,000 hours
Rated Supply Voltage	220-240 V
Frequency	50/60 Hz

Image



PAN 623



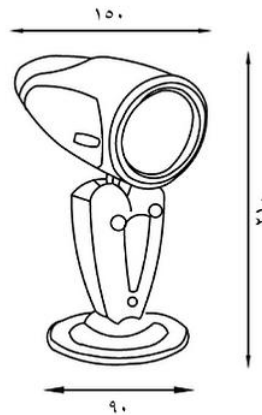
PAN
LIGHTING



PAN 623 flood light uses COB LEDs for outdoor applications
Housing is made of die-cast aluminum

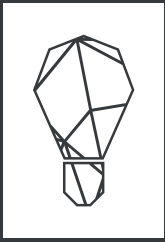
- COB LEDs
- Build in Driver
- Installation: Ground mounted
- working temperture:-20 degree c to 50 degree c
- Lifespan: 30,000-50,000 hours
- IP rating : IP67

Dimensions



Tech. Specification

Model	PAN623-10	PAN623-30
Power	6W	18W
LED Type	COB	
Luminous Flux	660 lm	1980 lm
Lumminous Efficacy	110 lm/w	
CCT	RED - GREEN - BLUE	
CRI (Ra)	>80	
Rated Supply Voltage	220-230 V	
Input Voltage	140-265 VAC	
Frequency	50/60 Hz	



PAN
LIGHTING

PNSP101

LED STRIP LIGHT



IP65 protected LED strips for professional applications with very good color rendering and lifetime

AREAS OF APPLICATION

- General indoor illumination
- General outdoor illumination
- Industry
- Offices, retail outlets and conference rooms
- Architecture lighting
- Decorative illumination

PRODUCT BENEFITS

- Great scope of design options due to long and flexible LED strips
- Easy installation, no tools required for connection
- Easy mounting on many smooth surfaces thanks to self-adhesive tape
- Suitable for use in damp conditions thanks to high type of protection
- Maximum flexibility due to large range of accessories
- Simple connection thanks to integrated cables on both sides

PRODUCT FEATURES

- Flexible and cuttable LED strip
- Lifetime (L80/B10): up to 25,000 h at T_p: 45°C
- Luminous flux: 750 lm/m
- Very good color rendering index Ra: > 80
- Large range of color temperatures: from warm white to cool daylight
- Type of protection: IP65

TECHNICAL DATA

Electrical data

Nominal wattage per meter	7W 9W 11W
Nominal voltage	220 V

Photometrical data

Color temperature	2700K 4000K 6500K
Color rendering index Ra	>80
Luminous flux per meter	600LM 600LM 750LM

Light technical data

Beam angle	120 °
------------	-------

LED module information

Number of LEDs per meter	120 120 180
--------------------------	-----------------



PNSP108

LED STRIP LIGHT



PRODUCT BENEFITS

LED strips for professional applications with very good color rendering and lifetime

- Great scope of design options due to long and flexible LED strips
- Easy installation, no tools required for connection
- Easy mounting on many smooth surfaces thanks to self-adhesive tape
- Suitable for use in damp conditions thanks to high type of protection
- Maximum flexibility due to large range of accessories
- Simple connection thanks to integrated cables on both sides

PRODUCT FEATURES

- Flexible and cuttable LED strip
- Available for different applications with wide range of colors
- Different ip rating options
- Different cutting units for easy installation
- Large range of color temperatures: from warm white to cool daylight

NLD

Nominal wattage per meter	14.4-28.8W
LED Quality	60-120 LED/M
Voltage input	220VAC 50-60HZ
PCB Width	6/10MM
Current output	3/6/12A
size	5000*10*.2mm

product code& icon description

Grade	IP65-67					
CCT	2700K	3000K	4000K	5000K	6500K	
COLOR	R	G	B	Y	RGP	RG BW
Lumens (LM/m)	20~22LM					
CRRl	Ra>80					

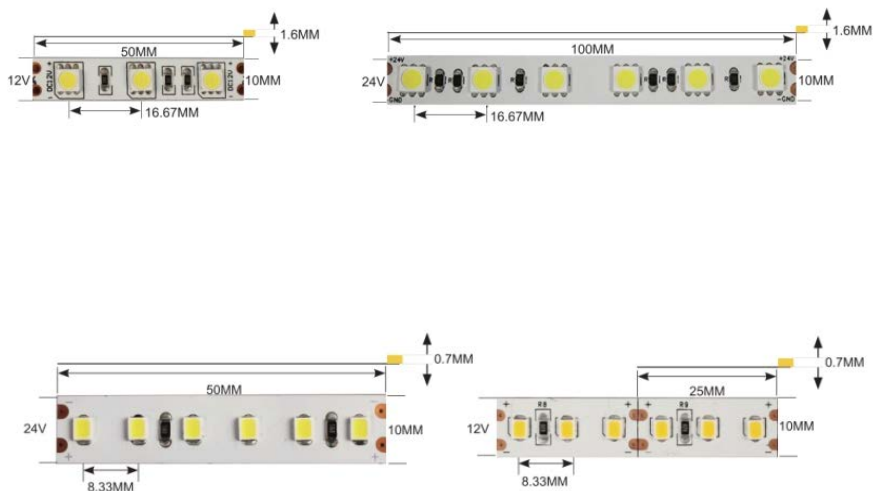


PNSP108

LED STRIP LIGHT



D



P





EMERGENCY LIGHT





PAN
LIGHTING

PNEX101

LED Emergency Exit



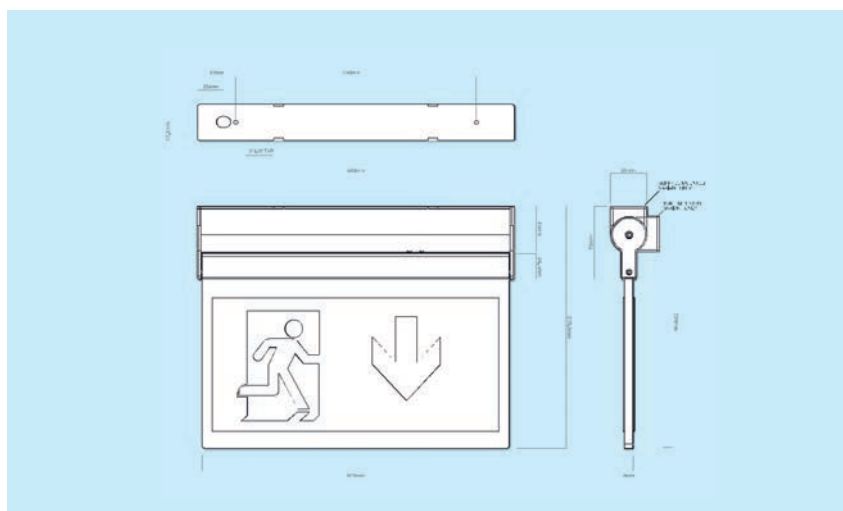
Introduction

PNEX 101 Wall or Ceiling Mounted Emergency Exit Sign designed for a range of mounting options. The rotating blade design of the permits wall or ceiling mounting whilst also allowing for the luminaire to be on angled surfaces. Suitable for commercial office, education and health applications this flexible exit sign provides superior luminance across its legend.

Features

- Versatile rotating, slim & attractive design
- For wall, ceiling or angled mounting
- Efficient and reliable LED light source
- Complete with legend kit options
- Integral status indicator
- 3 hours emergency duration
- Available with Maintained and non-maintained variants
- Smartcharge technology
- IP rating: IP20 - IP40

Dimensions



PNEX101

LED Emergency Exit



Tech. Specification

Model	PNEX101
Power	2-3 W
Emergency duration	3 hours
Recharge period	24 hours
Battery Charge Current	30MA
Supply Current (max)	60MA
Supply Voltage	220-240 V
Supply Frequency	50/60 Hz
Ambient Temp. (ta)	0° to 35+ C°
Max Case Temp.	70+ C°

Signs





PAN
LIGHTING

PNEX102

LED Emergency Light



Introduction

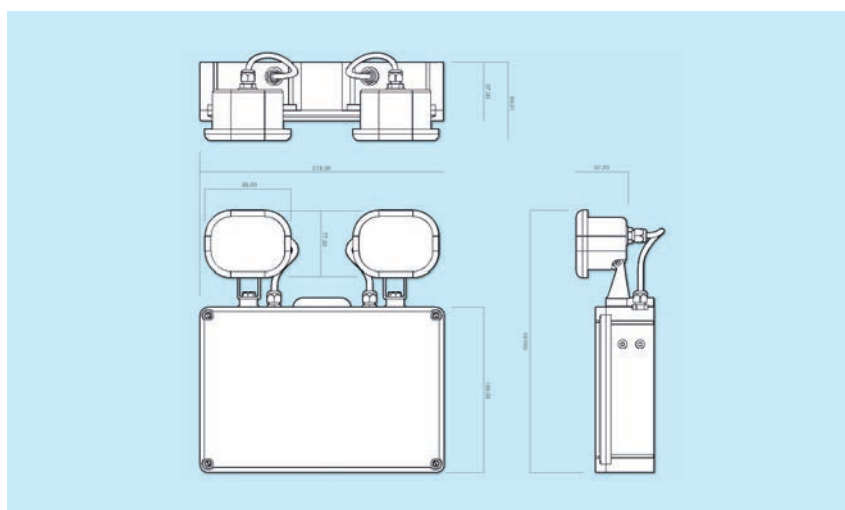
PNEX 102 Non maintained Emergency Light for large open area or high applications. Incorporating twin intensity LED light sources for efficient and reliable operation. PNEX 102 is suitable for Anti-Panic, Escape Route and high risk task area emergency lighting. The head being adjustable to suit the specific application. The durable IP65 housing ensures the product is protected from dust, dirt and water to offer efficient and impressive performance in challenging environments.

To control gear and battery are housed in a light weight polycarbonate IP65 enclosure allowing ease of installation and maintenance with model types available in either standard or Auto Test/DALI version.

Features

- For warehouse, sort halls, commercial and industrial applications.
- Efficient and reliable LED light source
- Integral status indicator
- 3 hours emergency duration
- IP rating: IP65

Dimensions



PNEX102

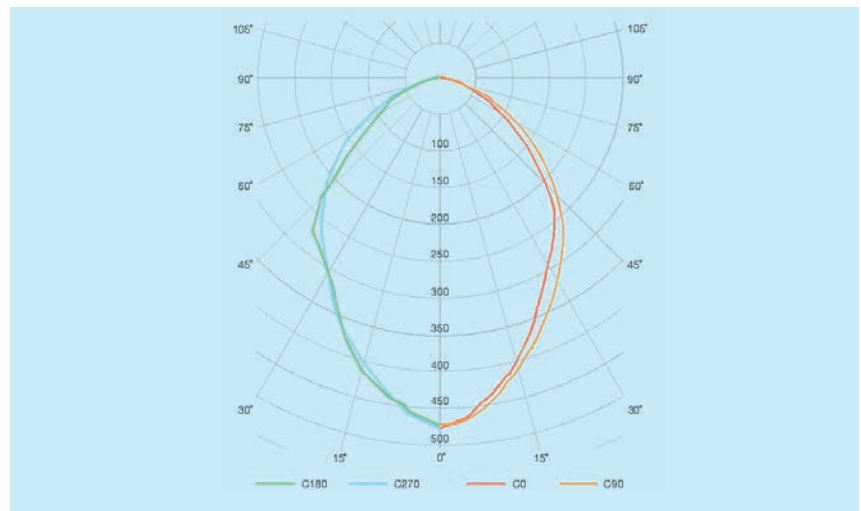
LED Emergency Light



Tech. Specification

Model	PNEX102
Emergency duration	3 hours
Recharge period	24 hours
Battery Charge Current	200MA
Supply Current (max)	40MA
Supply Voltage	230 V
Supply Frequency	50/60 Hz
Ambient Temp. (ta)	0° to 35+ C°
Max Case Temp.	70+ C°
Conductor Size	0.2 to 1.5 mm ²

Light Distribution





PAN
LIGHTING

PNEX104

LED Emergency Light



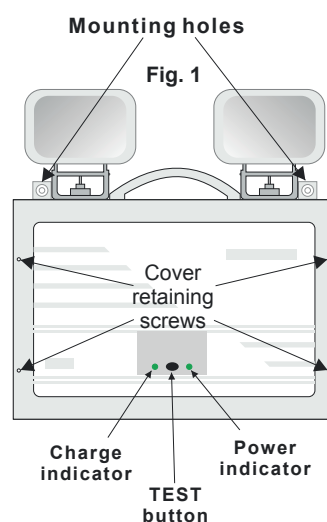
Introduction

PNEX 104 Non maintained Emergency Light for large open area or high applications. Incorporating twin intensity LED light sources for efficient and reliable operation. PNEX 104 is suitable for Anti-Panic, Escape Route and high risk task area emergency lighting. The head being adjustable to suit the specific application.

Features

- For warehouse, sort halls, commercial and industrial applications.
- Efficient and reliable LED light source
- Integral status indicator
- Up to 3 hours emergency duration
- IP rating: IP42

Illustration



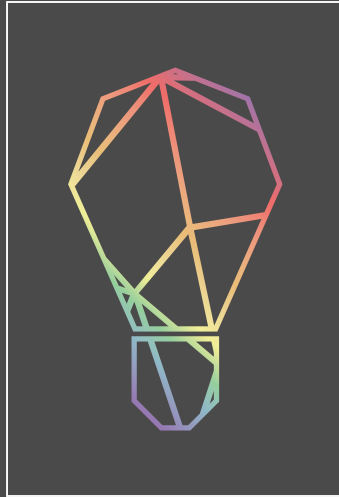
PNEX104

LED Emergency Light



Tech. Specification

Model	PNEX104-3	PNEX104-15
Power	2.73W	14.4W
Luminous Flux	790 lm	1620 lm
Duration	90 min	180 min
Power Consumption	10 VA	16 VA
Operation Voltage	220-240V	220-240V
Frequency	50/60 Hz	50/60 Hz
Battery	6V/4Ah	12V/7Ah
Operation Temperature	5 to 40 C°	5 to 40 C°
IP Rating	IP42	IP42



PAN LIGHTING