



PAN
LIGHTING

PNPL 108

LED Panel Light



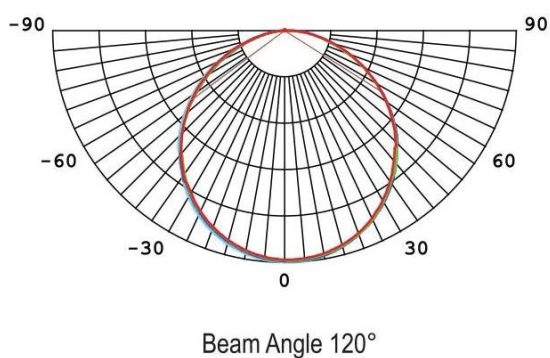
Introduction

PNPL108 LED Panel with LEDs and Driver for indoor applications. Housing is made of die-cast aluminum coated with powder paint. Luminaire uses High quality paper reflector providing uniform light and output.

Features

- SMD LEDs
- LED driver upon request
- High quality PS Diffuser with light transmittance >92%
- Can be made with LED Emergency kit
- Installation: Recessed
- IP rating: IP20 / IP40 / IP54
- Lifespan: 30,000

Light Distribution



PNPL 108

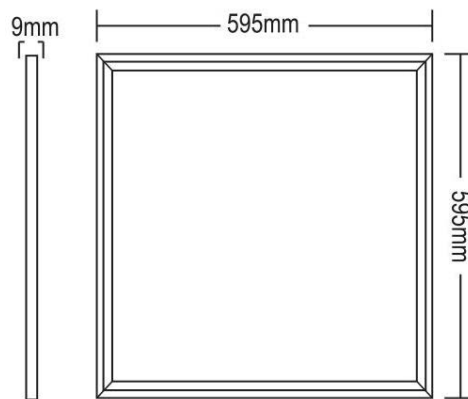
LED Panel Light



Tech. Specification

Model	PNPL108-45
Power	45 W
LED Type	SMD
Luminous Flux	4000 lm
CCT	3000 k - 4000 k - 6500 k
Baem Angle	120°
CRI (Ra)	>80
Rated Supply Voltage	220-240 V
Lumen Maintenance	>80
Frequency	50/60 Hz
Ta	20C to 50C
IMAX (cd)	1550
CLASS	II

Dimentions



Model	PNPL108
H	595 mm
D	595 mm
	9 mm