

PNCL 101

LED Ceiling Light



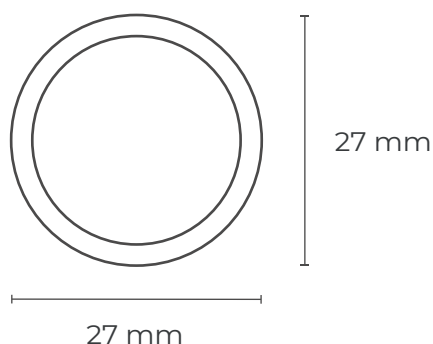
Introduction

PNCL101 LED Ceiling light uses SMD LED. it is the right choice for many applications. Developed and produced in SAUDI, PAN Lighting has the capabilities and the international connections to make such a product suitable and reliable outdoor fixture for all weather conditions.

Features

- SMD LEDs
- IP rating: IP54 - IP65
- High quality PS Opal diffuser
- Installation: Ceiling, Wall-surface mounted
- Lifespan: 50,000 hours

Dimension



LED Module

Housing	Die-casting Alluminum
Color	Customizable
Diffuser	PS Opal Diffuser
Installation	Ceiling, Wall-surface mounted
IP Rating	IP54 - IP65

PNCL 101

LED Ceiling Light



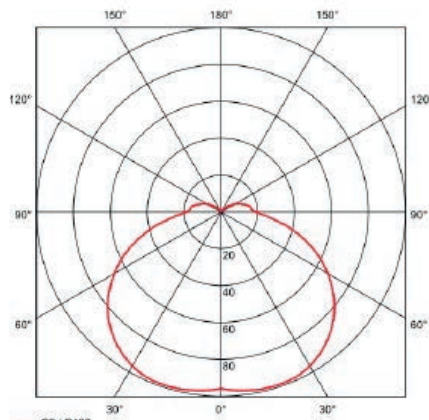
LED Driver & Elec. Sprcification

Driver Brand	Tridonic / Osram
Gautantee	50,000 hours
Rated Supply Voltage	220-240 V
Input Voltage	100-277 VAC
Frequency	50/60 Hz

Lum. Specification

Model	PNCL101-10	PNCL101-16	PNCL101-25	PNCL101-30
Power	10W	16W	25W	30W
LED Type	SMD			
Luminous Flux	900 lm	1440 lm	2250 lm	2700 lm
Lumminous Efficacy	90 lm/w			
CCT	3000K - 4000 k - 6500 k			
CRI (Ra)	>80			

Light Ddistribution



Products Picture

