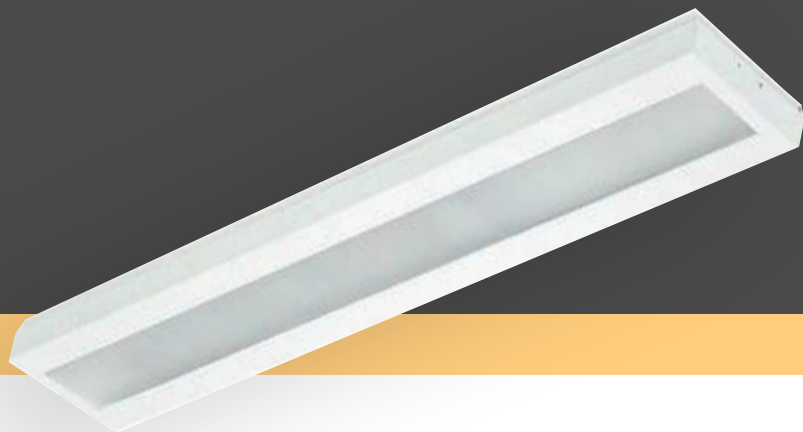


PAN 230

LED Surface mounted



PAN
LIGHTING



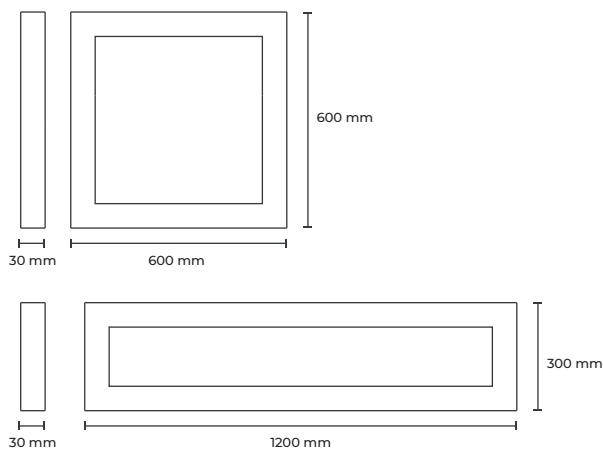
Introduction

PAN 230 LED Surface mounted uses SMDs LED for indoor applications. Housing is made of high quality cold-roll steel with color powder coating. Luminaire is available with wide option of diffusers.

Features

- High efficiency SMD LEDs
- LED driver
- Options: 60x60 and 30x120
- Installation: Surface mounted.
- IP rating: IP44 / IP54
- Life span: 30,000 - 50,000 hours

Dimensions



Model	PAN230-60	PAN230-80
Length	1200 mm	600 mm
Width	300 mm	600 mm
Depth	30 mm	30 mm

PAN 230

LED Surface mounted lamp



Tech. Specification

Model	PAN230-60	PAN230-80
Power	60W	80W
LED Type	SMD	
Luminous Flux	6000 lm	8000 lm
Lumminous Efficacy	100 lm/w	
Color Temperature (CCT)	3000 - 4000 - 6500 k	
Beam Angle	93°	
CRI (Ra)	>80	
Rated Supply Voltage	220-240 V	
Input Voltage	100-260 VAC	
Frequency	50/60 Hz	

Light Distribution

