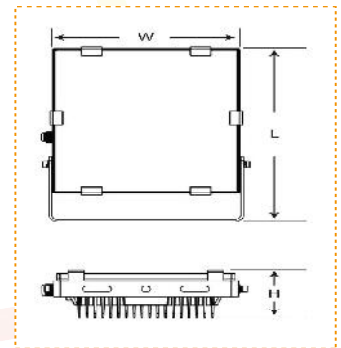


PN-FL105

PN-FL105 LED Floodlight powered by SMD LEDs.
Housing is made of aluminum heatsink with zipped fins technology to optimize air flow and improve heat dissipation process.

Production Feature:

- High transparent toughened glass and optical grade PMMA lens.
- Hazardous free
- non-dimmable
- Directional Type
- Instant full light
- For outdoor use
- IP rating: IP65
- Life-span: 50,000 hours



“ Dimensions & Light Distribution Curve ”

Model	Length	Width	Height
PN-FL105100	200mm	215mm	60mm
PN-FL105150	425mm	328mm	765mm

“ Technical Specification ”

Model	Power [W]	LED Type	Luminous flux [lm]	Luminous efficacy [lm/W]	CCT [k]	Beam angle	CRI [Ra]
PN-FL105100	100	SMD	12000	120	6000	60	>80
PN-FL105150	150		18000	120			

“ Electrical Specification ”

Rated supply voltage	90-305V
Lumen maintenance	1000H≤3%, 3000H≤1%
Frequency	50/60 Hz
Ta	-30C TO 70C
CLASS	I